

■ Integrating sphere test data

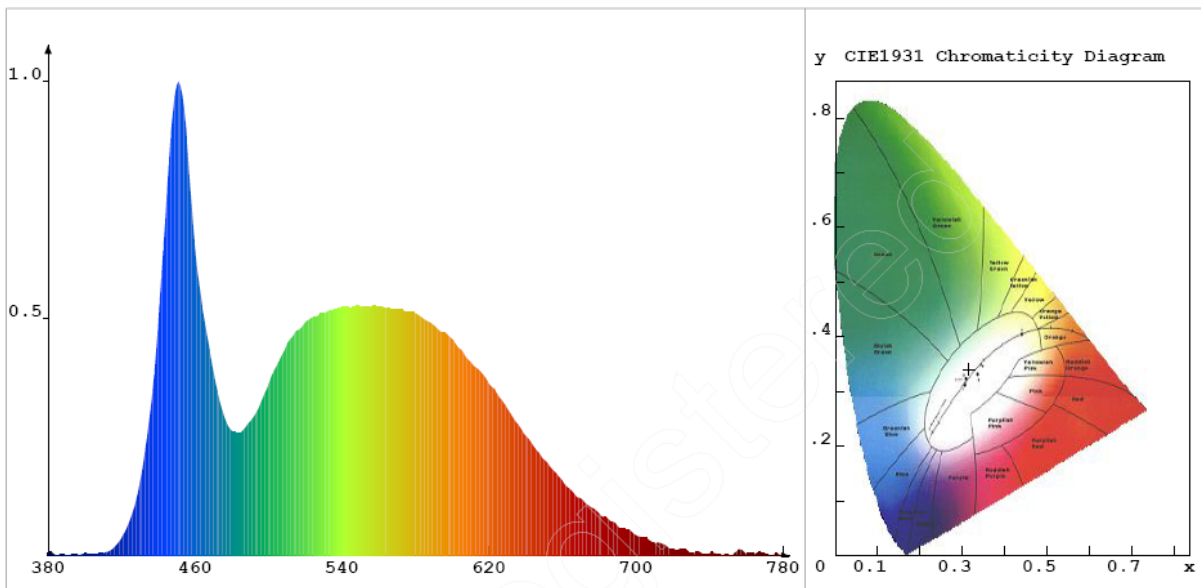
◆ Cool white

LED Test Report

Product Mark

Product Type : TLY-MB-E-18CK-1G-01
Temperature : 25'C
Operator : ZMR

Manufacturer : TALOYA
Humidity : 75%
Test Date : 2016-04-30



Chroma Parameters

Chro.Coor.: $x=0.3162$ $y=0.3407$ $u=0.1959$ $v=0.3166$ $duv=0.0074$
CCT: $T_c=6255K$ Dominant Wave.: 498.3nm Purity: 5.4%
R ratio: $R=13.2$ Peak Wavelength: 450.9nm Half Width: 24.9nm

Rending Index: $R_a=81.2$

$R_1=79.0$ $R_2=87.5$ $R_3=92.2$ $R_4=77.0$ $R_5=76.6$ $R_6=79.5$ $R_7=89.7$
 $R_8=68.1$ $R_9=-2.0$ $R_{10}=68.9$ $R_{11}=75.3$ $R_{12}=51.2$ $R_{13}=81.8$ $R_{14}=95.9$
 $R_{15}=73.3$

Photo Parameters

Flux: 1516.13lm Effi.: 84.7lm/W RadiantPower: 5810.7mW

Ele. Parameters

Voltage: $U=225.0V$ Current: $I=0.085A$
Power: $P=17.9W$ Power Factor: $PF=0.930$

Instrument state

IntgeTime: 74.624ms VPeak: 14629 VDark: 1149
Scan Range: 380-780nm

◆ Natural white

LED Test Report

Product Mark

Product Type : TLY-MB-E-18NK-1G-01

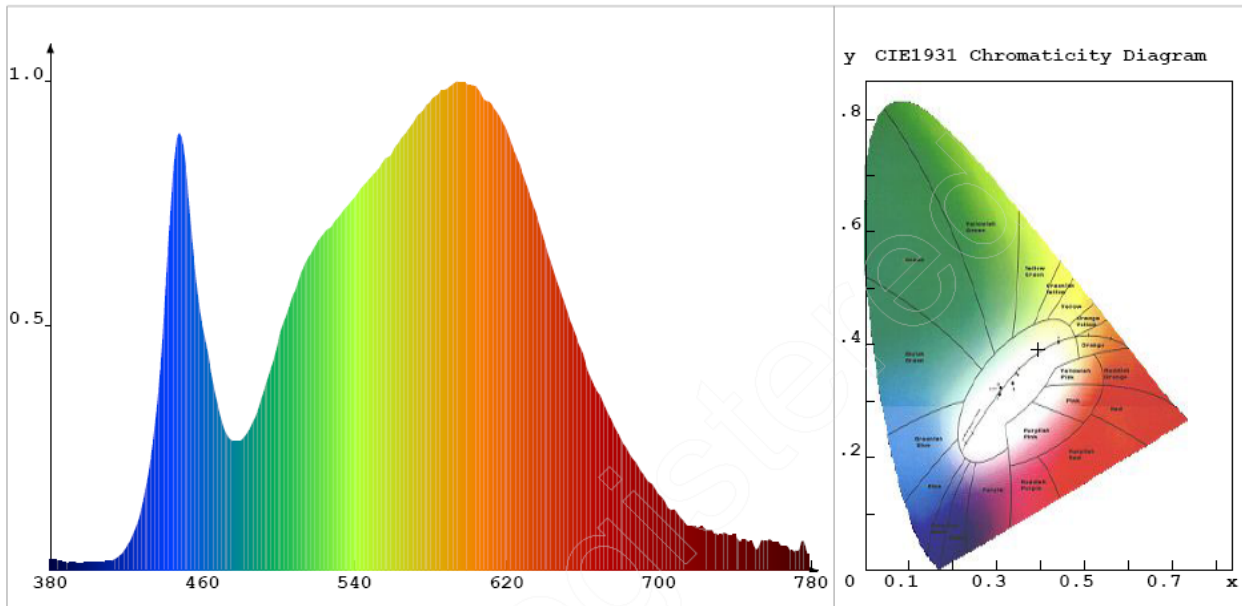
Manufacturer : TALOYA

Temperature : 25'C

Humidity : 75%

Operator : ZMR

Test Date : 2016-04-29



Chroma Parameters

Chro.Coord.: $x=0.3936$ $y=0.3926$ $u=0.2274$ $v=0.3402$ $duv=0.0036$

CCT: $T_c=3782K$ Dominant Wave.: 579.3nm Purity: 36.0%

R ratio: $R=18.8$ Peak Wavelength: 593.4nm Half Width: 152.4nm

Rending Index: $R_a=82.0$

$R_1=79.0$ $R_2=86.3$ $R_3=93.5$ $R_4=84.0$ $R_5=81.6$ $R_6=83.7$ $R_7=84.9$
 $R_8=63.1$ $R_9=8.2$ $R_{10}=69.5$ $R_{11}=82.6$ $R_{12}=62.5$ $R_{13}=80.0$ $R_{14}=96.2$
 $R_{15}=72.4$

Photo Parameters

Flux: 1536.69lm Effi.: 84.9lm/W RadiantPower: 5768.8mW

Ele. Parameters

Voltage: $U=213.8V$

Current: $I=0.101A$

Power: $P=18.1W$

Power Factor: $PF=0.940$

Instrument state

IntgeTime: 100.559ms VPeak: 12981

VDark: 878

Scan Range: 380-780nm

◆ Warm white

LED Test Report

Product Mark

Product Type : TLY-MB-E-18WK-1G-01

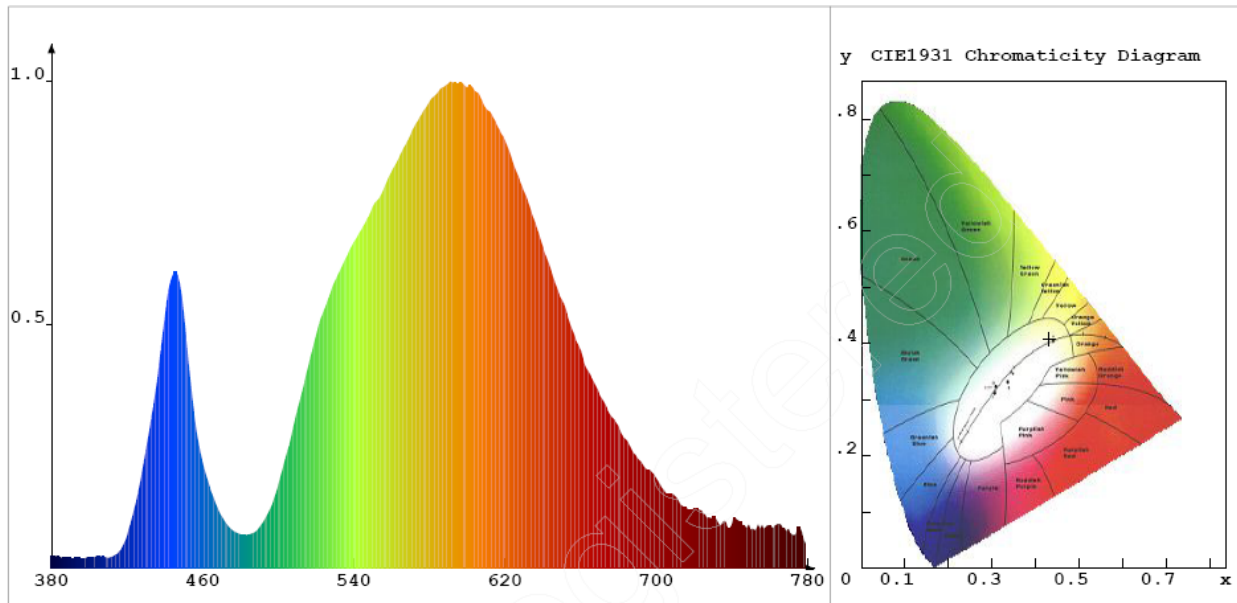
Manufacturer : TALOYA

Temperature : 25'C

Humidity : 75%

Operator : ZMR

Test Date : 2016-04-29



Chroma Parameters

Chro.Coord.: $x=0.4317$ $y=0.4080$ $u=0.2455$ $v=0.3481$ $duv=0.0024$

CCT: $T_c=3122K$ Dominant Wave.: 582.5nm Purity: 52.1%

R ratio: $R=20.6$ Peak Wavelength: 590.7nm Half Width: 133.2nm

Rending Index: $R_a=82.3$

$R_1=79.8$ $R_2=86.9$ $R_3=91.6$ $R_4=81.4$ $R_5=80.9$ $R_6=82.8$ $R_7=86.4$
 $R_8=65.7$ $R_9=8.2$ $R_{10}=50.2$ $R_{11}=82.0$ $R_{12}=62.3$ $R_{13}=80.7$ $R_{14}=96.8$
 $R_{15}=74.1$

Photo Parameters

Flux: 1525.16lm Effi.: 83.8lm/W RadiantPower: 5475.0mW

Ele. Parameters

Voltage: $U=228.0V$

Current: $I=0.087A$

Power: $P=18.2W$

Power Factor: $PF=0.934$

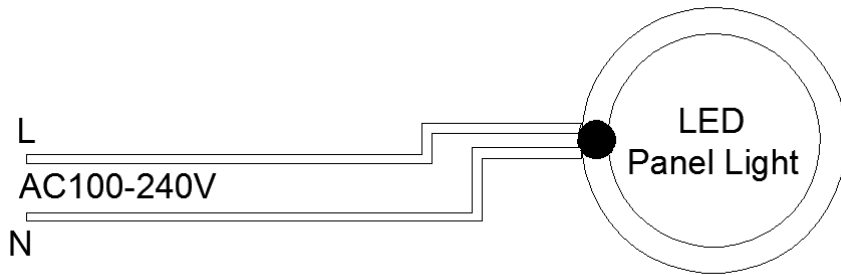
Instrument state

IntgeTime: 117.995ms VPeak: 13789

VDark: 1393

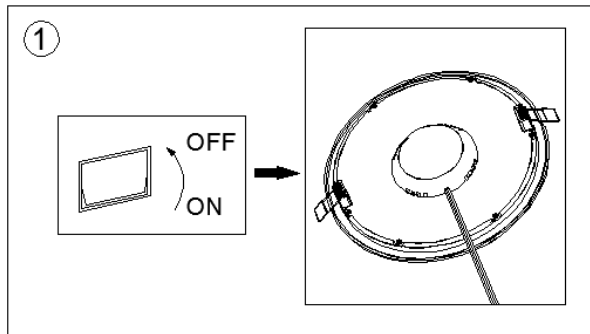
Scan Range: 380-780nm

■ Connection

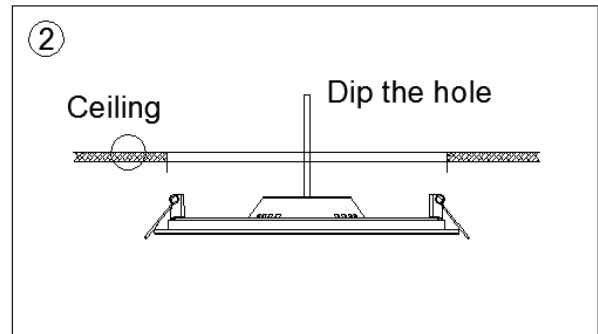


■ Installation Instruction

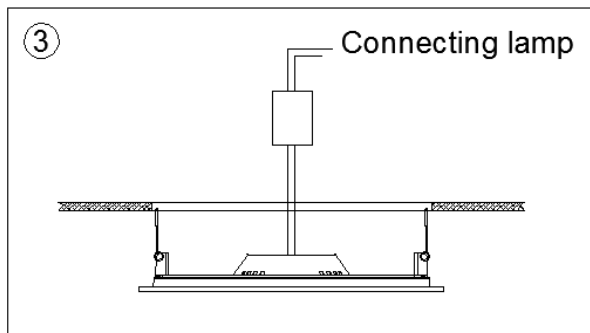
◆ **Attention:** Before installation, power must be cut off to keep people safe.



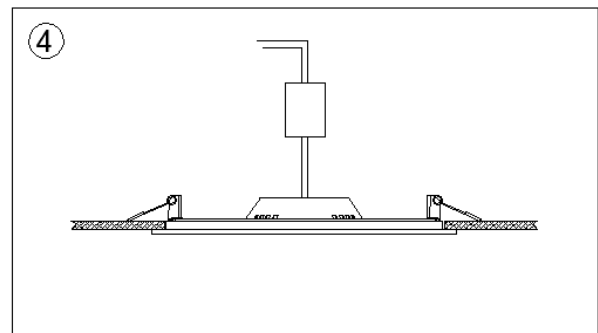
Step 1: Power off. Turn the adapter's switch to OFF position like picture.



Step 2: Dip a suitable hole at the ceiling.

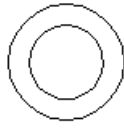


Step 3: Connecting lamp, lift the spring and install the lamp into the hole.

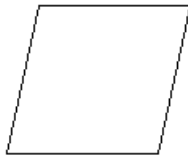


Step 4: Installation finished.

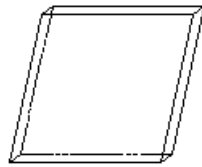
■ The view of package



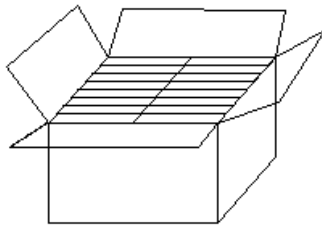
Panel light



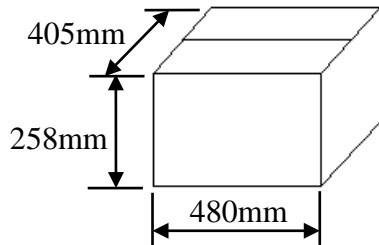
PE bag



Inner box



20pcs/Carton



Sealed carton

Size of panel(mm)	∅ 226*29mm
Inner box size	L*W*H: 232x38x232mm
Carton size	L*W*H: 480x405x258mm
Packing quantity	20pcs
Net weight	6.55kg
Gross weight	8.75kg