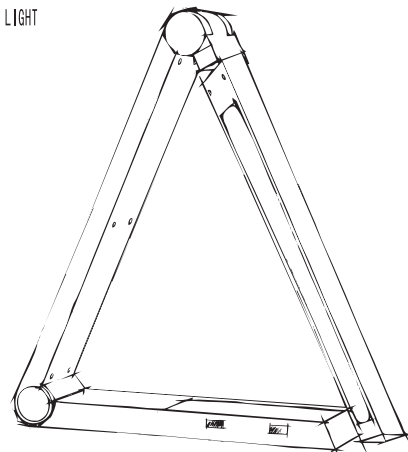


LAMP

INTELLIGENT LED DESK LIGHT



LED DESK LIGHT MANUAL

LED DESK LIGHT MANUAL

Product Name: Intelligent LED Desk Light

1 Product Features

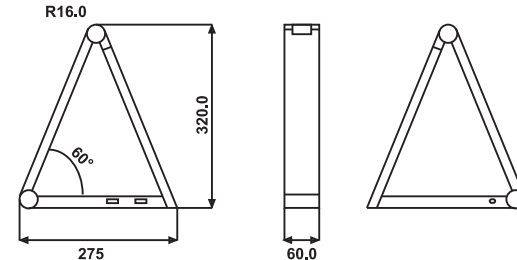
- SideView LED, High-grade LGP and diffuser make more soft&even lighting effect.
- TUV, UL, SAA, PSE and ERP approved external led adaptor and low voltage&constant current output, no flicker and safe.
- Original Osram and Philips led chips, CRI>90 with stable quality.
- Intelligent touch dimmable on brightness from 10% to 100% and color temperature from 2700K to 6500K.
- 2pcs Intelligent USB charger, adjust the current and swift rechargeable with different digital products automatically.
- Qi wireless charger(option) with LED indicator. Stop work automatically after fully-charge; with FOD-check function; can be together with metal objects, therefore to promise the safety of wireless charger.

2 Specification

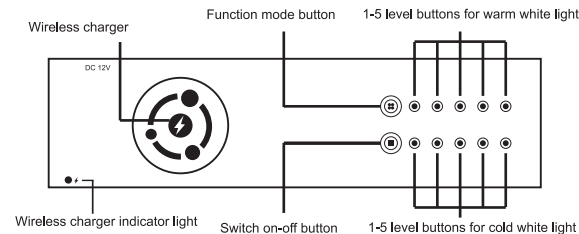
Input Voltage: AC100-240V
Switch Method: Touch Sensor
Lamp Rotation Angle: 180°
Lamp Power: 5W
Light Source: 108PCS LED
Color Temperature: 2700K-6500K
Luminous Mode: Side-emitting
Lamp Size: L275mm*W60mm*H320mm
Inner Box Size: L313mm*W65mm*H382mm
Net Weight(without adapter): 730g

Output Voltage: DC12V
Smart Quick Charger: DC 5V 2A (2 USB)
Wireless Charger: DC 5V 2A
CRI: >90
Lamp Illuminance: 1000lux @300mm
Material: PC+ABS

3 Structure

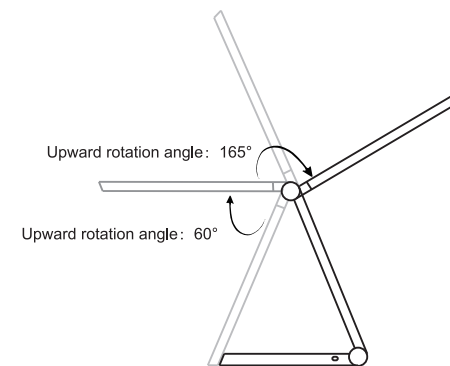
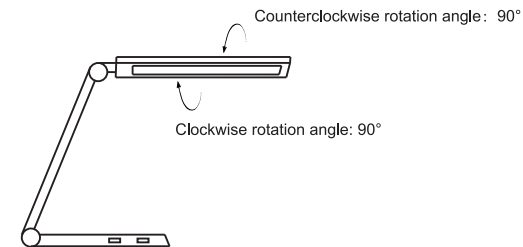


4 Instruction of Buttons



- One CCT version: 1-5 block are respectively 12%,35%,55%,80%,100%.
- Mixed CCT version:1-5 block are respectively 10%,20%,30%,40%,50% in each group.
- Wireless charger indicator light: Red light indicate standby, Blue light indicate working.

5 Instruction of Lamp Body Rotation



6 Operating Instructions

- One CCT version and Mixed CCT version are transformed by function mode button.
 - ① One CCT version: After touch the switch on/off button, the cold white will work automatically. The brightness can be adjusted by touching cold white mode or warm white mode's 1-5 level blocks. When cold white works, yellow white closed automatically; when yellow white works, cold white closed automatically.
 - ② Mixed CCT version: After touch the function mode button, the color will be mixed with cold white and warm white; When touch the function mode button again, it will be returned to one color version again.
- Memory function: Under the condition of connecting city power, if switch off then on again, it will remember the last dim level.
- USB rechargeable instruction:
 - ① 2 USB output, 5V 2A in total
 - ② The power will be 2A if 1 USB work; the power will be 1A of each USB if 2 work together.
- Wireless rechargeable instruction: Red light indicate standby, Blue light indicate working

7 Package List

Lamp Body	1pc
LED Adaptor	1pc
Manual	1pc

Many thanks for your like, kindly share with your friends now.