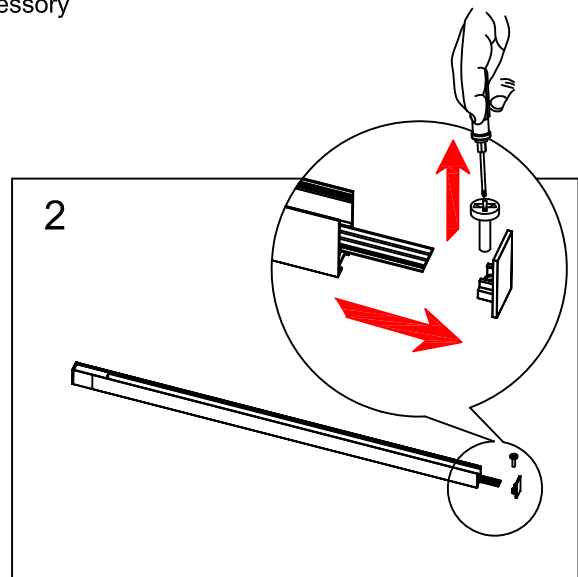
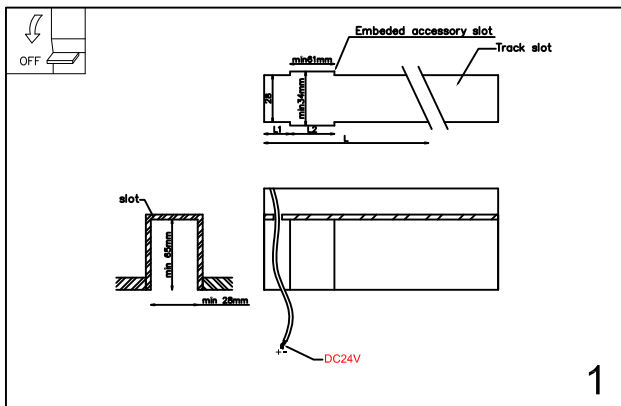
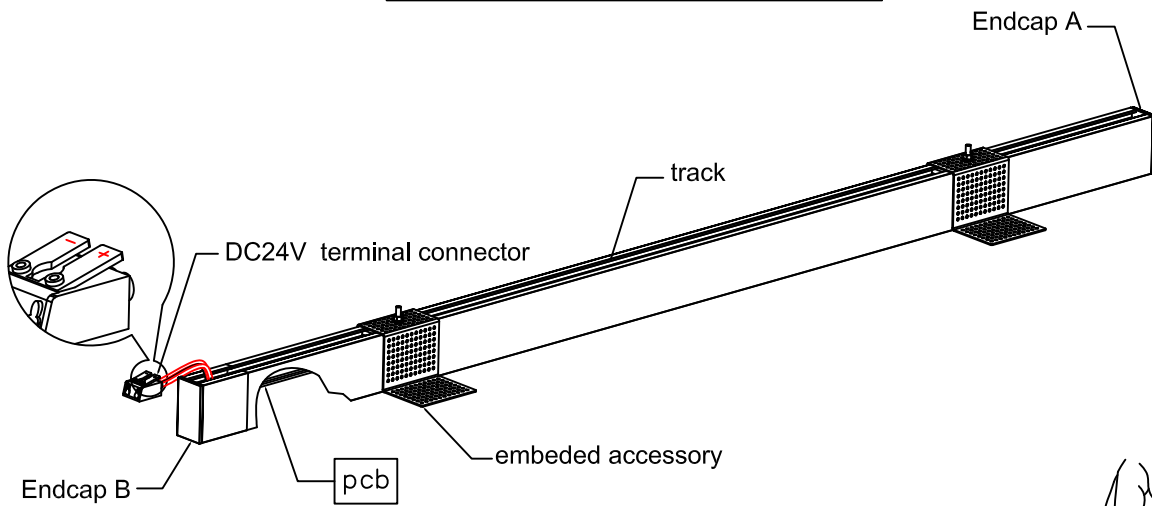


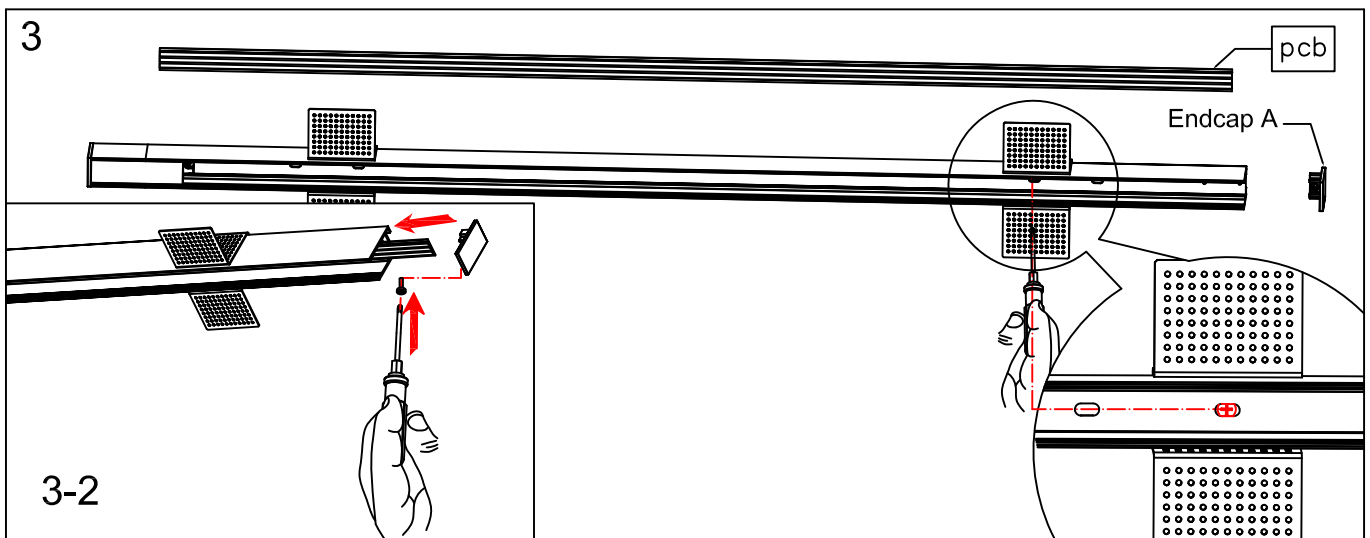
Installation instructions



1. Cut a slot as showed in the drawing and put the DC24V wire outside.

- a) Driver can be put on the ceiling
- b) or any place which can hide the driver

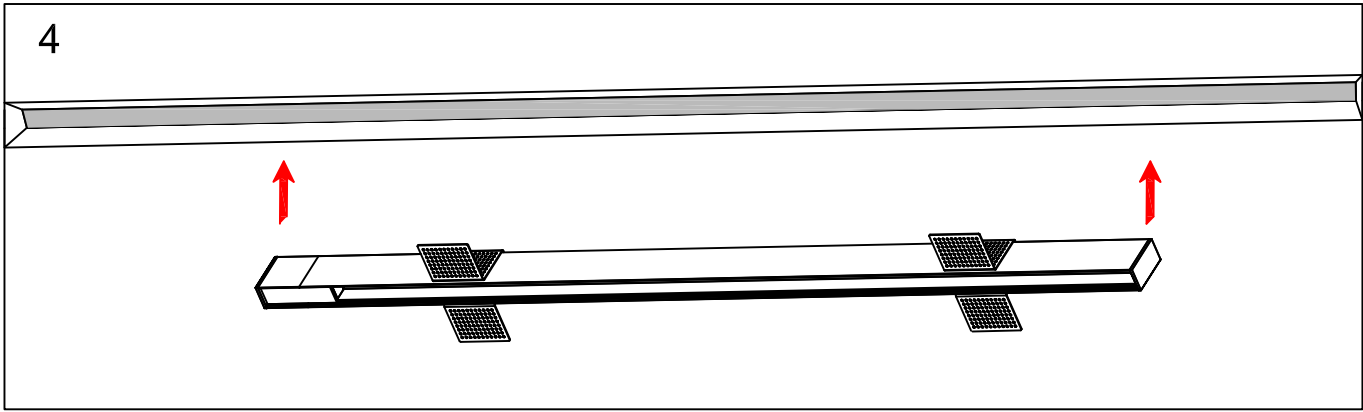
2. Dismantle the Endcap A; Take of the PCB



3. Fix the embedded accessory on the track

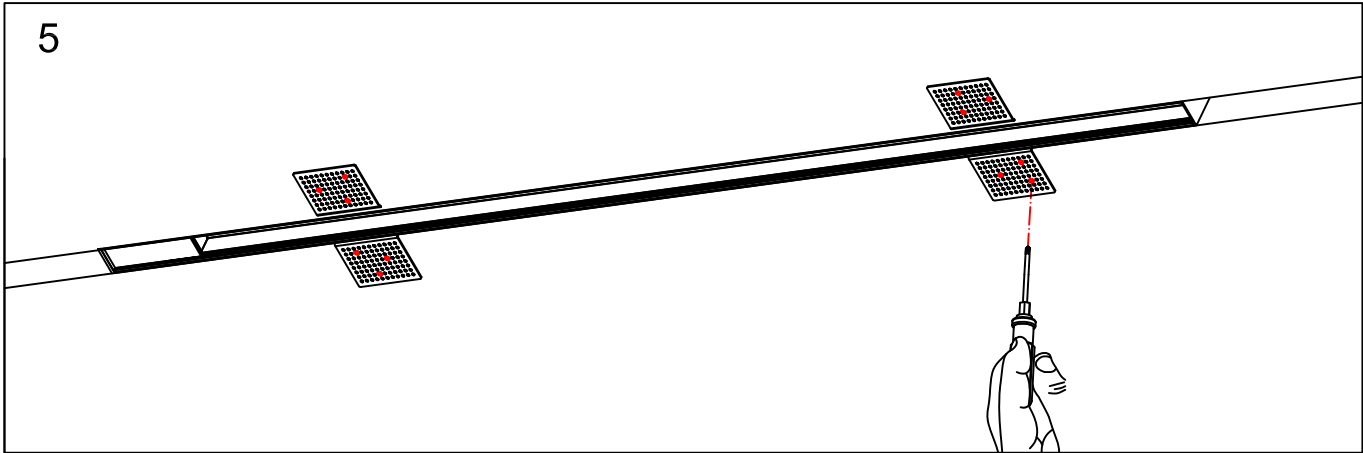
3-2. Put the PCB inside of the track and fix the endcap A

4



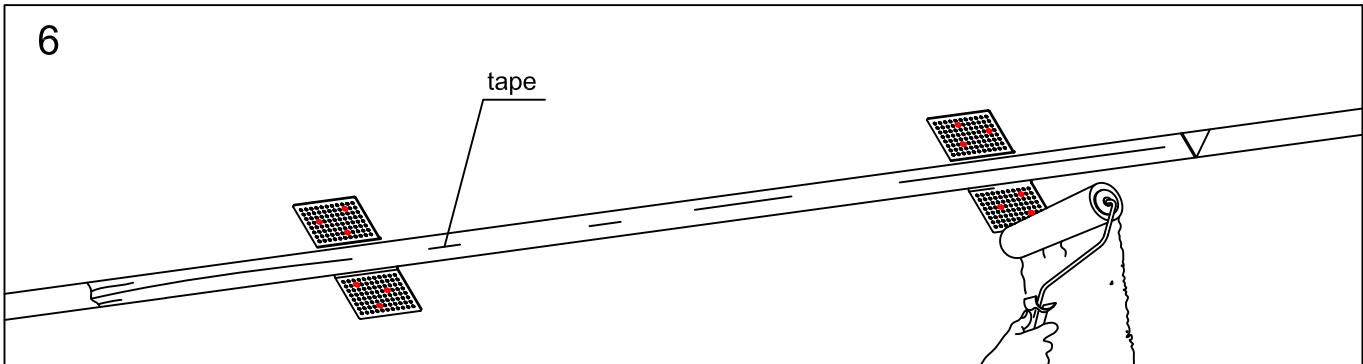
4.Put the track into a slot

5

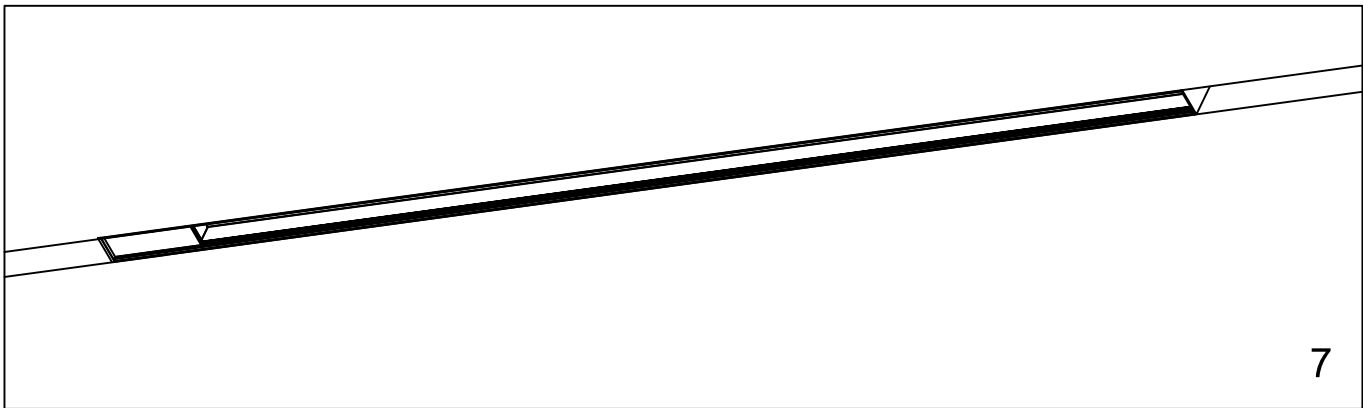


5.Fasten the track on the accessory by screwdriver

6



6. First of all, please use a tape to cover the track before plastering in case smudge the track. then plastering and make it flat



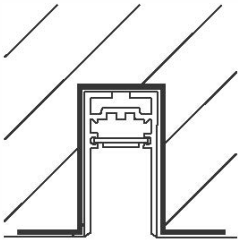
7

7. Take off the tape, The track installation end.



INSTALLATION

Recessed

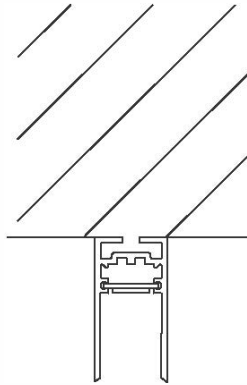


Installation accessories

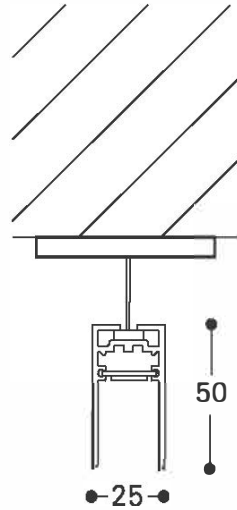


MODEL: LD1014158

Ceiling Surface



Pendent

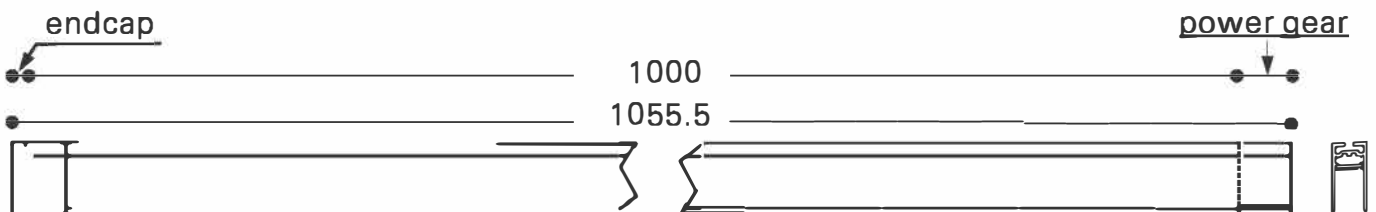


Installation accessories



MODEL: LD1014157

SIZE





I SHAPE CONNECTOR

Function: connect each two single track.

MODEL: LD1014155

