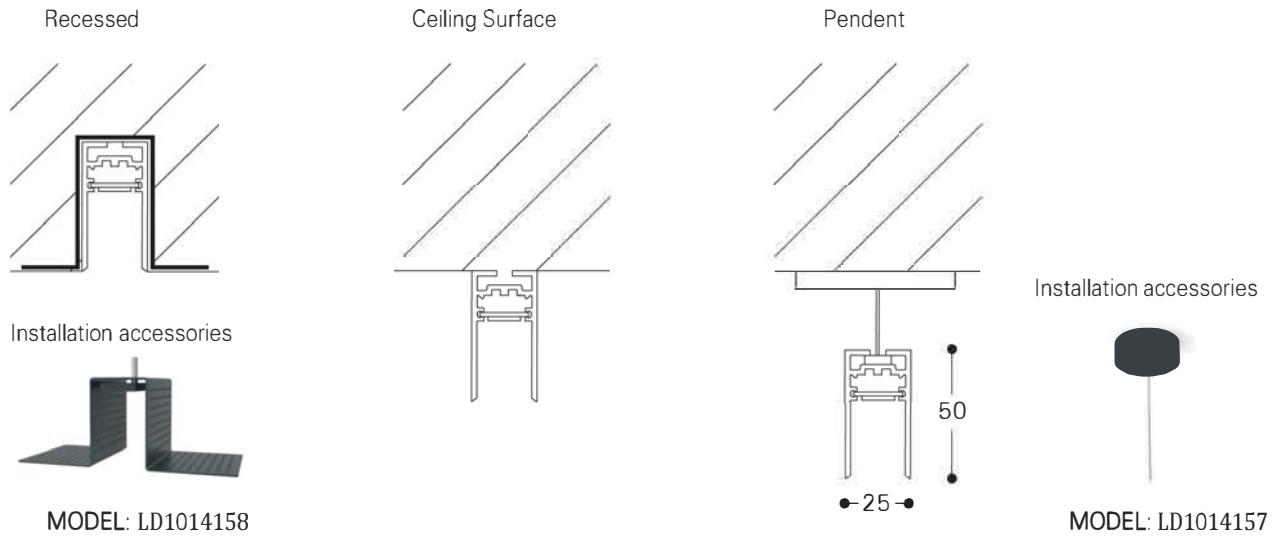
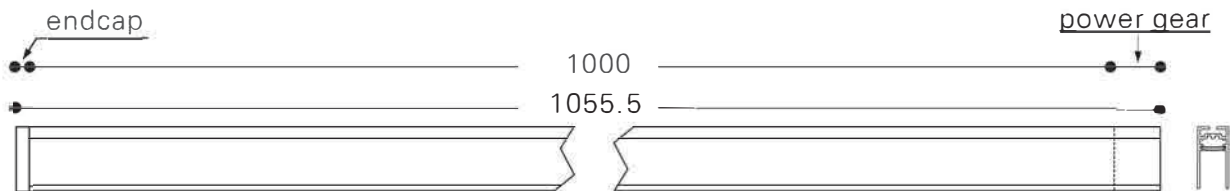




INSTALLATION



SIZE



Power gear + Endcap=55.5mm

MODEL: T1000 = 1000+55.5=1055.5mm (standard size)

Customize size : $T X = X + 55.5MM$

X stands for Track length

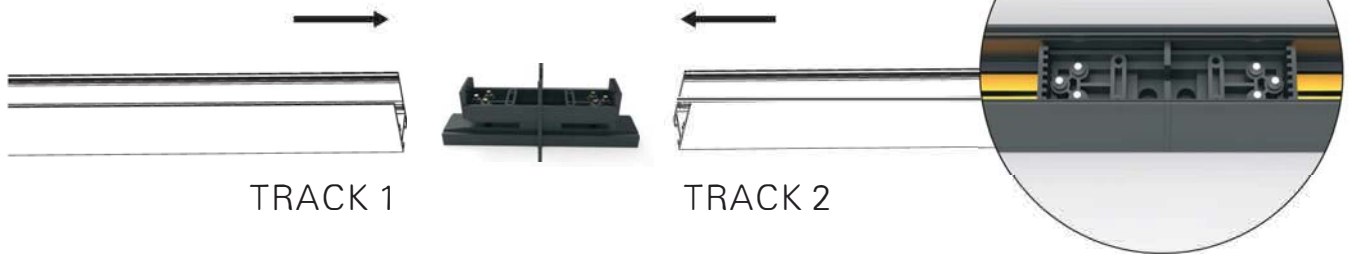
EXAMPLE: $T600 = 600 + 55.5 = 655.5MM$

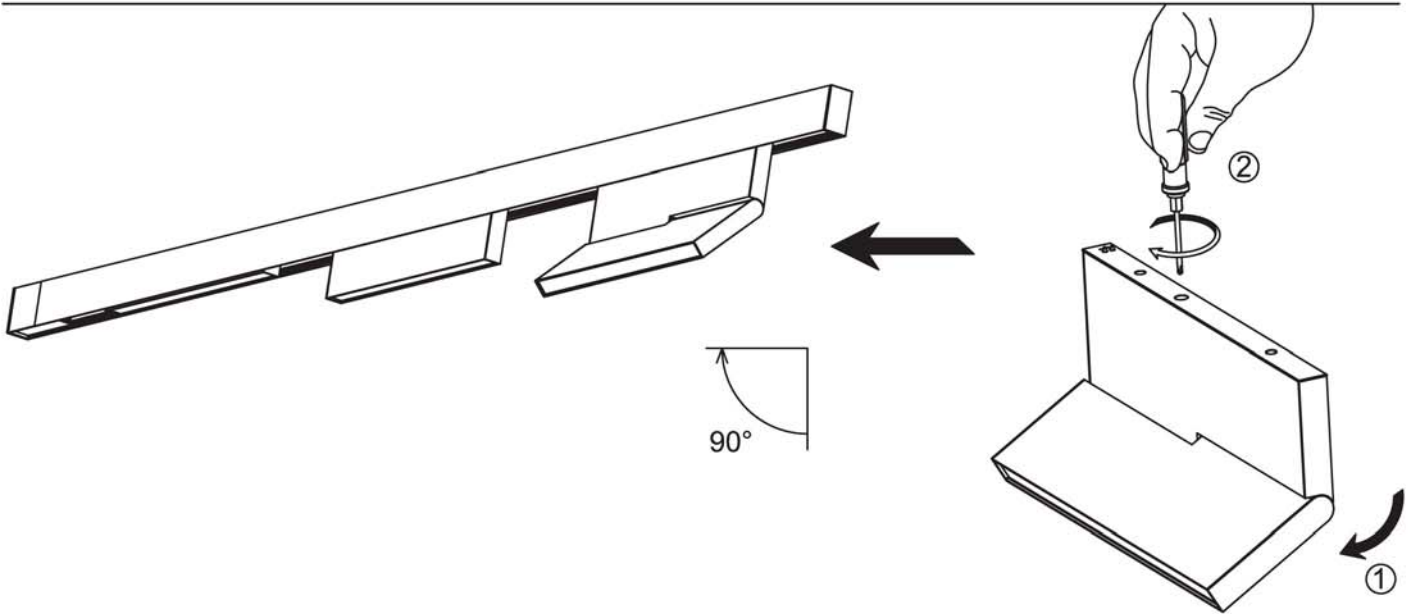
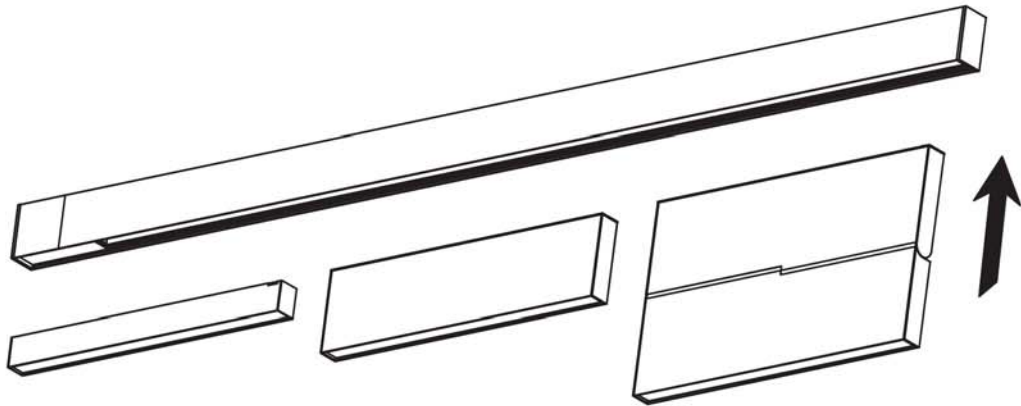
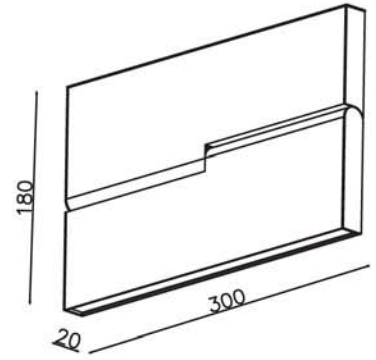
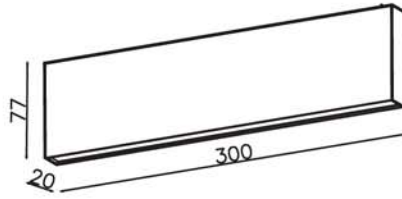
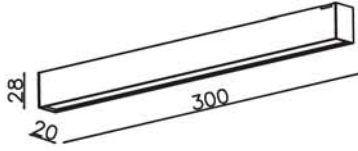


I SHAPE CONNECTOR

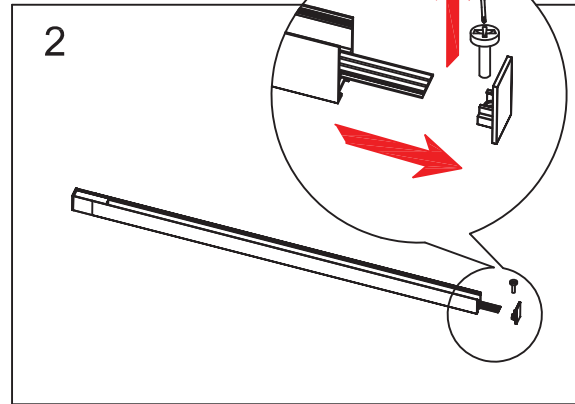
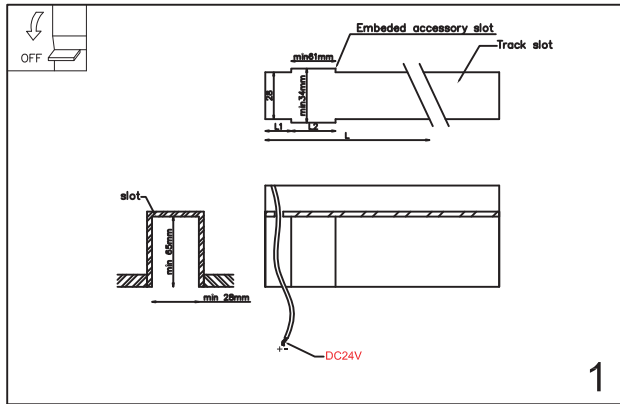
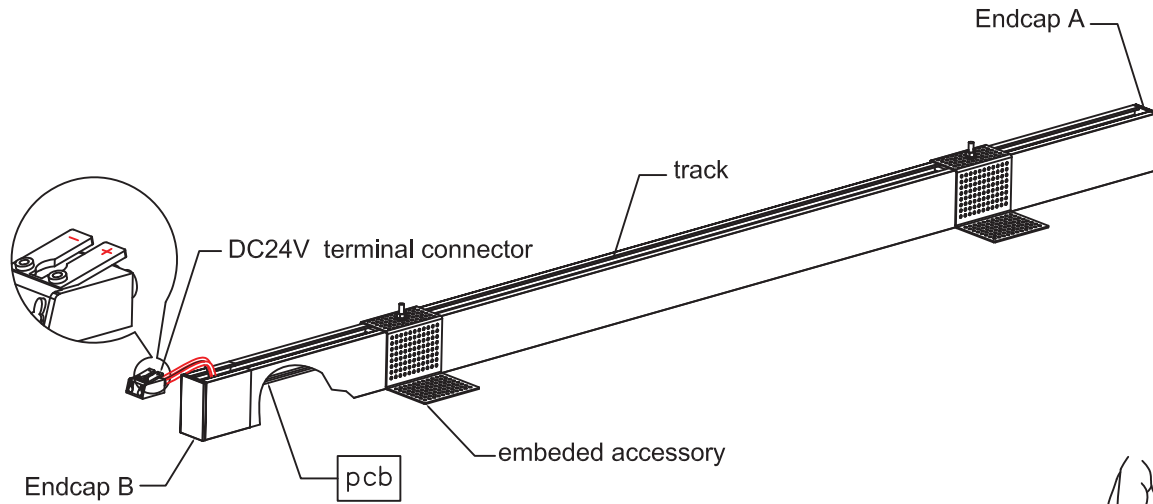
Function: connect each two single track.

MODEL: LD1014155





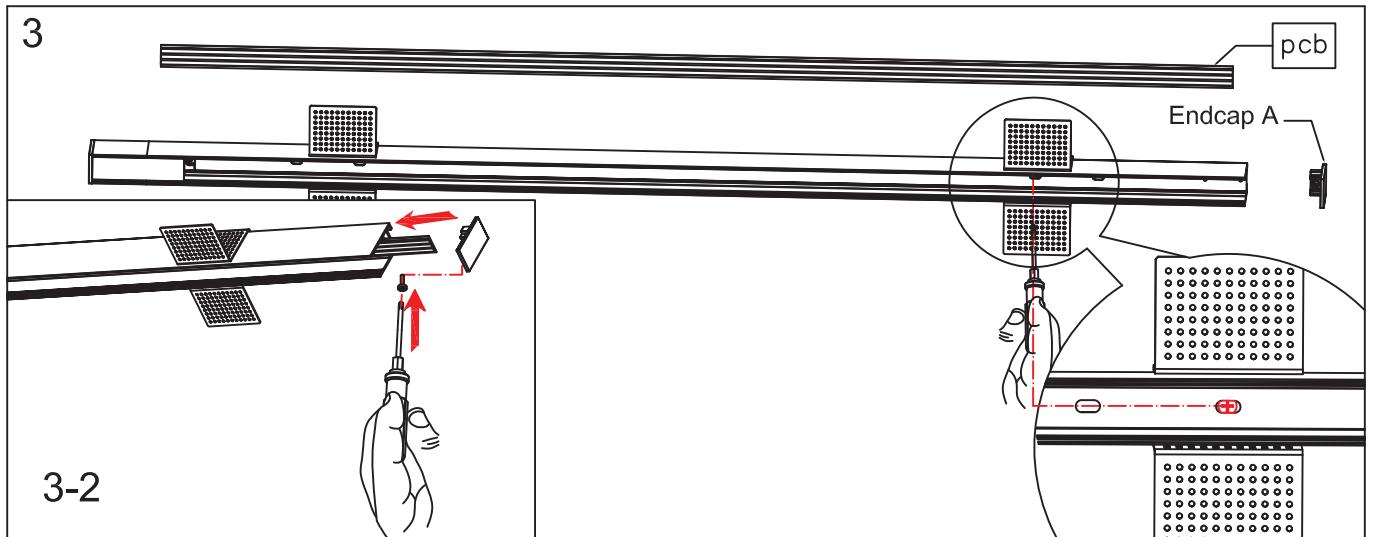
Installation instructions



1. Cut a slot as showed in the drawing and put the DC24V wire outside.

- a) Driver can be put on the ceiling
- b) or any place which can hide the driver

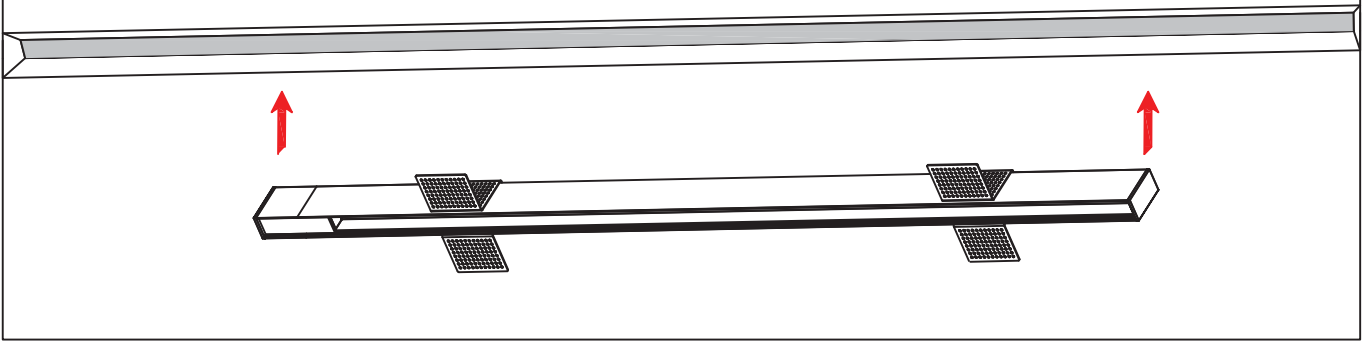
2. Dismantle the Endcap A; Take of the PCB



3. Fix the embedded accessory on the track

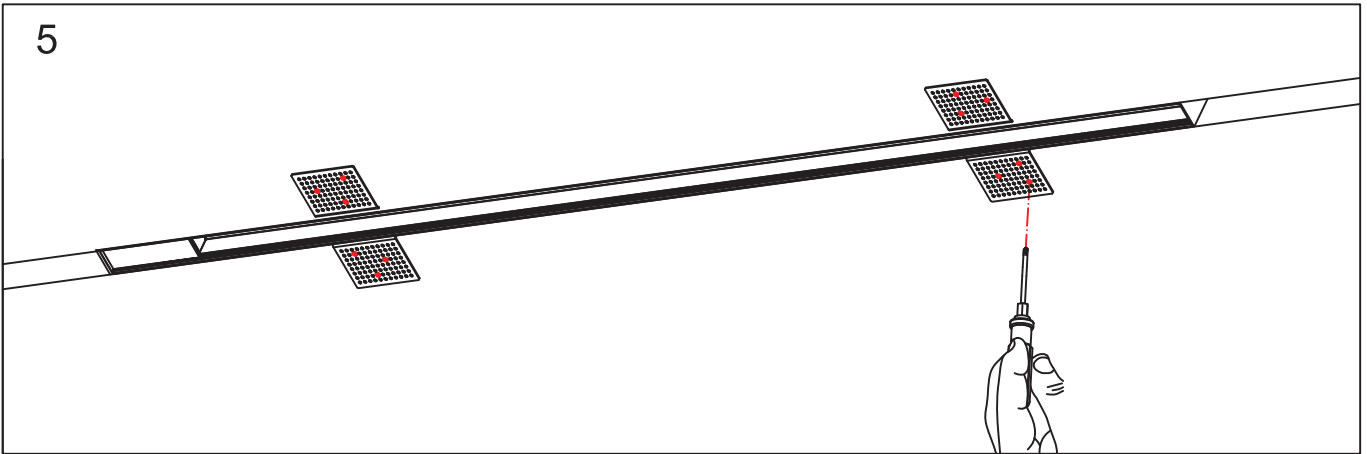
3-2. Put the PCB inside of the track and fix the endcap A

4



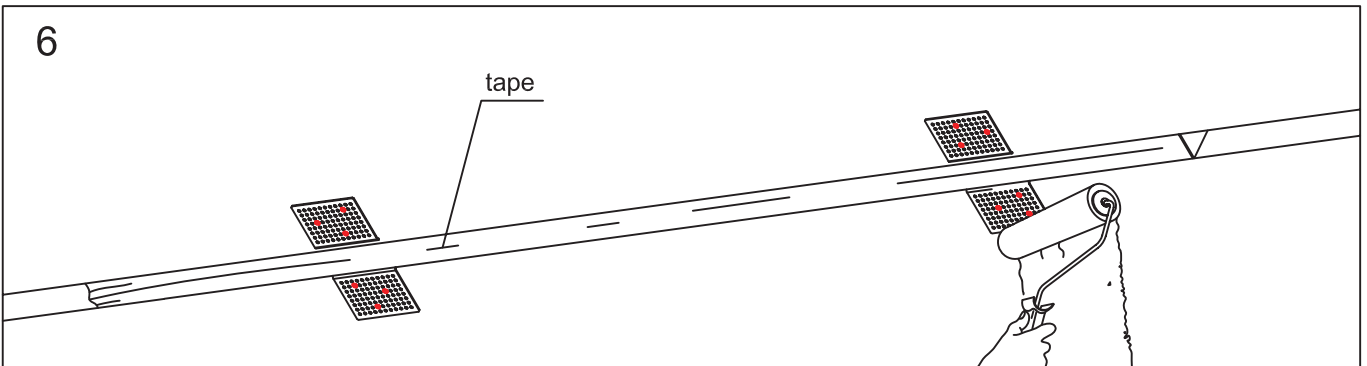
4.Put the track into a slot

5



5.Fasten the track on the accessory by screwdriver

6



6. First of all, please use a tape to cover the track before plastering in case smudge the track. then plastering and make it flat

7

7. Take off the tape, The track installation end.

