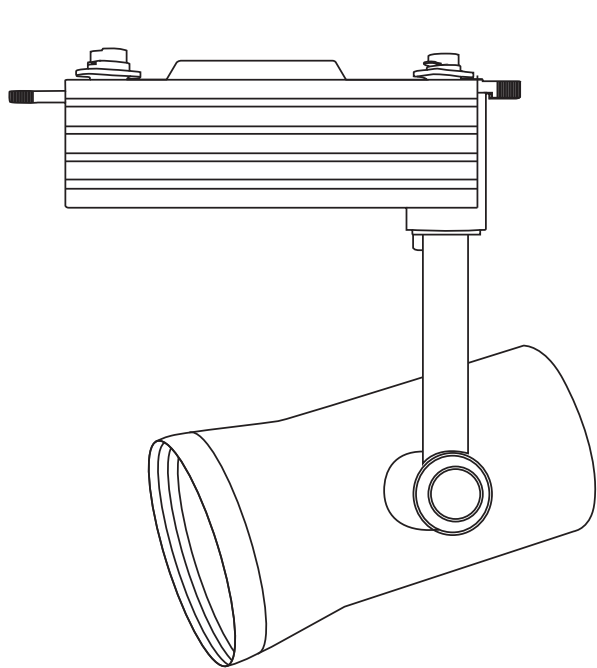
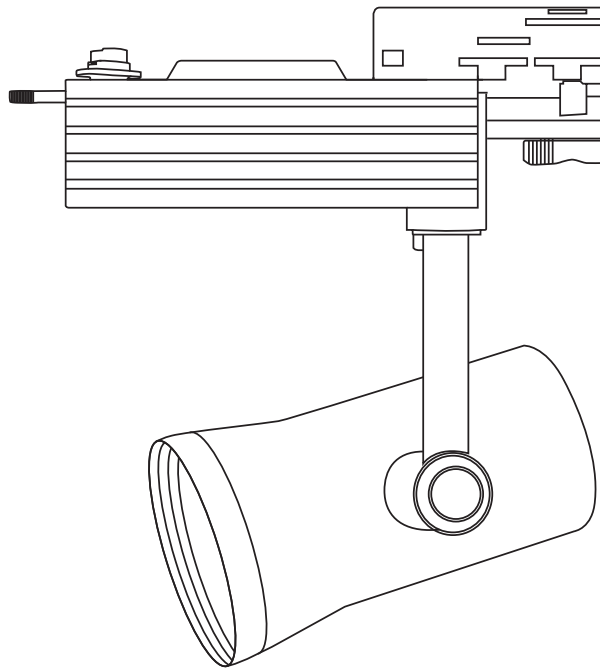


Product Description

RGB+W Adjustable, 2.4G Remote&Smartphone Control
Color Saturation Adjustable



Two-line Track light



Four-line Track light

Parameters:

Voltage: AC86-265V 50~60Hz

Power: 25W

Color Temperature: 2700K/6500K

Power: White 20W, RGB 20W

Angel: 350°

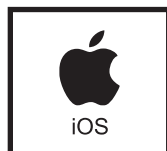
PF: >0.9

CRI: >80

Luminous Flux: 2000LM

Beam Angle: 24°

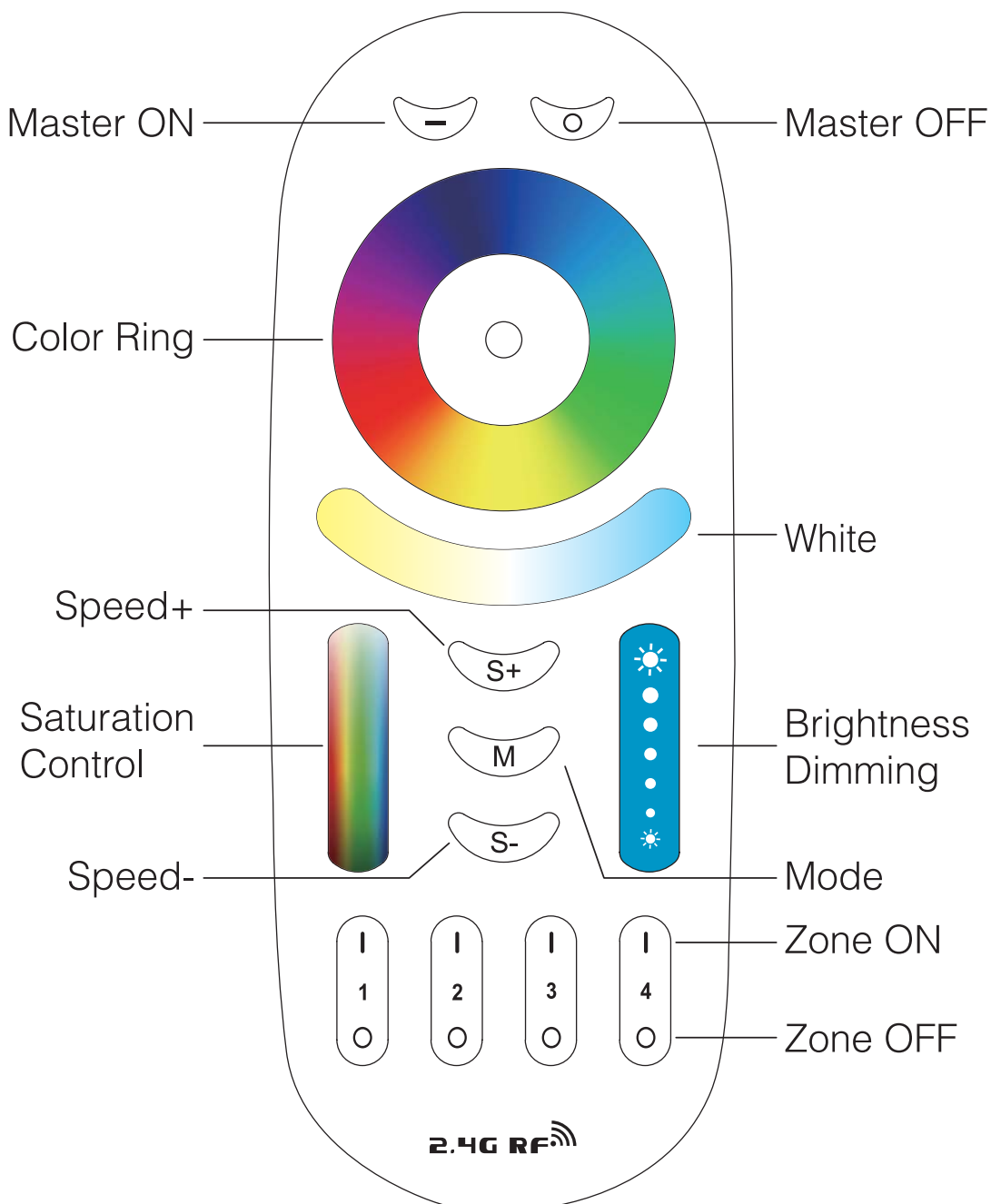
Control Distance: 30M



Link/Unlink:

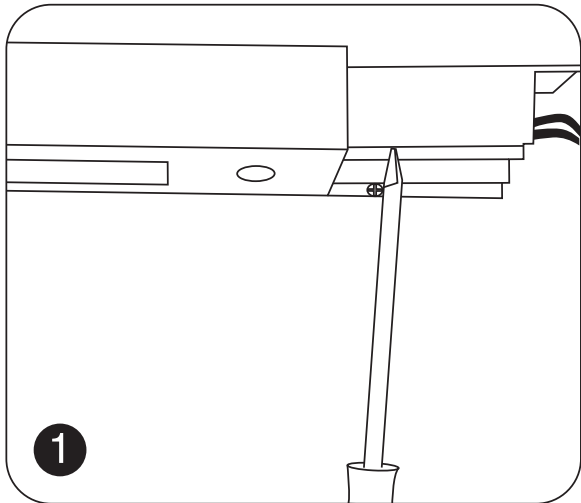
Link: First power off, then power on, within 3 seconds touch any of the Zone-ON button 3 times shortly, the link is done when you see the light blinks 3 times with green color, otherwise try again later.

Unlink: First power off, then power on, within 3 seconds touch the linked Zone-ON button or the Master-ON button 5 times shortly, the unlink is done when you see the light blinks 10 times with red color, otherwise try again later.

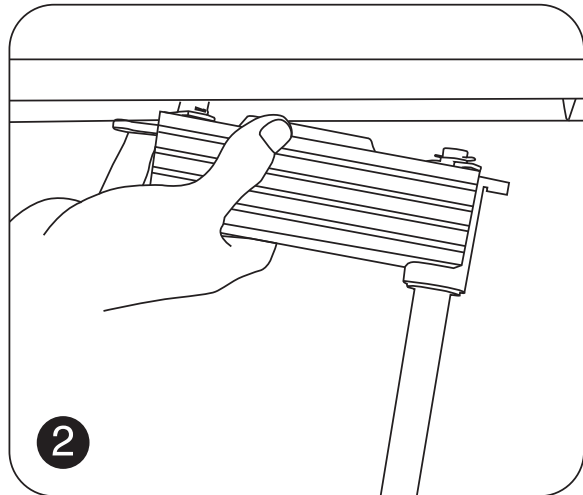


Installation

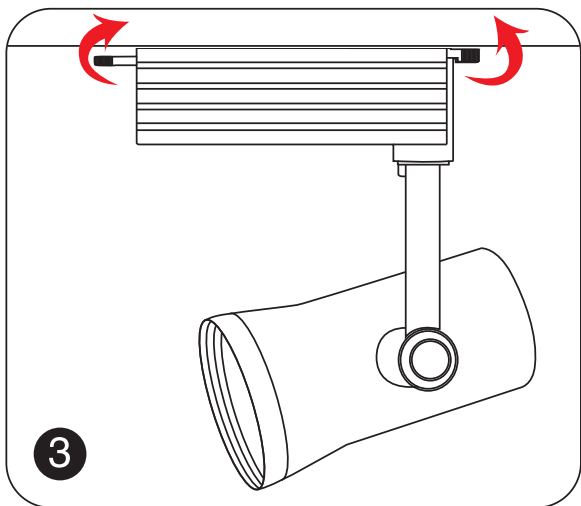
1. Install the rail, supply the power.



2. Put the track light bottom into the rail



3. Lock the switch and fix the track light.



4. Switch the angles according to your needs.

