

# Operation Instructions of Controller

## 1. Specifications:

Supply voltage:230V/AC

Working temperature: -20-60°C

Product size: L13\*W6\*H5CM

Net weight:150g

Output: RGB Signle

Max load: 1000W

Connecting Mode: Common anode

Control mode: IR remote

## 2. Control Method:

Adopt IR remoter to control the LED controller,which has 20 buttons,the function of each button as the table below:

Brightness+/(Speed3)	Brightness-/(Speed4)	OFF	ON	
Static red	Static Green	Static blude	Static White	
Static orange	Static yellow	Static cyan	Static purple	
Auto change	3base colors jump	3 base colors fade change	Speed1	
flash	7base colors jump	7 colors fade change	Speed2	

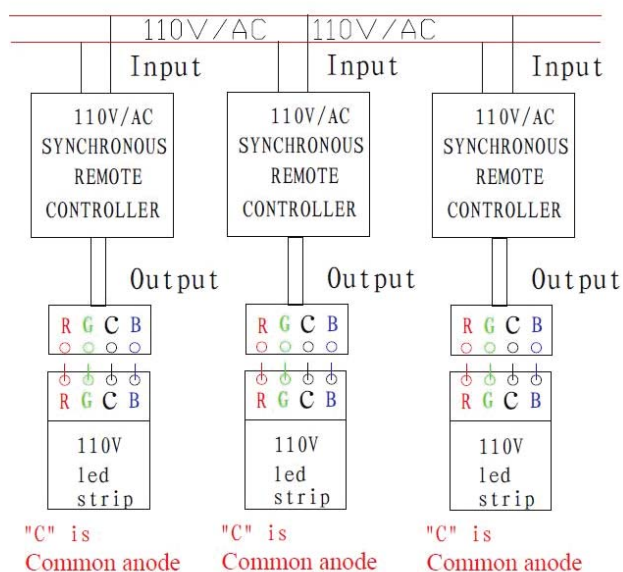
## Direction:

A:When in “Static” mode ,”Brightness+/(Speed3)” ” Brightness-/(Speed4)” means the brightness is up/down.

B:When in “change” mode, “Speed1” ”Speed2” ”Brightness+/(Speed3)” ” Brightness-/(Speed4)” means different speeds of light change. “Speed1” means fastest, “Speed4” means slowest.

C: It can remember the lasted state before power off.

## 3. Panel specification and connecting drawing as follows:



## 4. Warning:

A:Supply voltage of this product is 110V/AC.

B:Lead wire should be connected correctly according to colors that connecting diagram offers.

C:Warranty of this product is one year,but exclude the artificial situationg of damaged or overload working.