

# Operation Instructions of Controller

## 1. Specifications:

Supply voltage:110-220V/AC

Working temperature:-20-60°C

Output: w/cw Single


Max load: 2A

Connecting Mode: Common anode

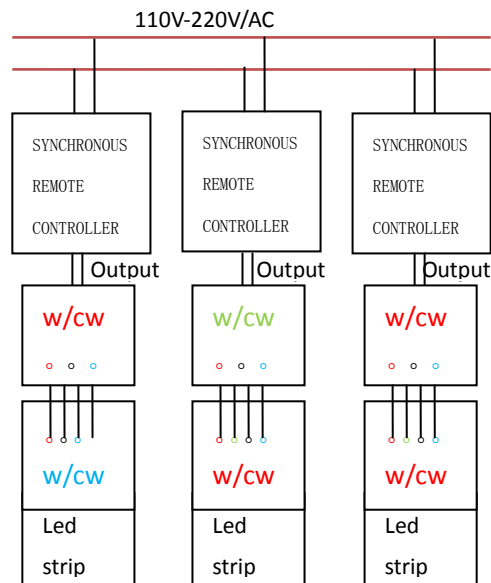
Control mode: IR remote

## 2. Control Method:

Adopt IR remote to control the LED controller, which has 15 buttons, the function of each button as the table below:

ON	Speed+	Speed-	
OFF	W/CW JUMP	W/CW FADE	
W/CW	(W/CW)Brightness+	(W/CW)Brightness-	
w Brightness+ cwBrightness-	w	W:75% CW25%	
w Brightness- cwBrightness+	W:25% CW75%	CW	

## 3. Panel specification and connecting drawing as follows:



## 4. Warning:

A: Supply voltage of this product is 110-220v/AC.

B: Lead wire should be connected correctly according to colors that connecting diagram offers.

C: Warranty of this product is one year, but exclude the artificial situation of damaged or overload working.