

# LEDBOX®

[www.ledbox.es](http://www.ledbox.es)



## NEON FLEX

Silicone Tube 0513

Product specification

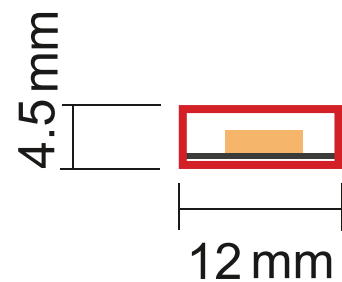
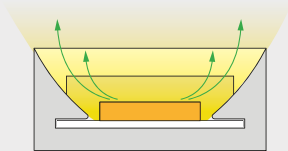
# Led NEON Tubo Silicona 25x15mm



## Product Features

- Color temperature consistency
- The close integration of well heat-conducting PCBA and silicon to ensure led lifespan and improve led strip heat dispersion.
- Application of Automation Technology Extrusion waterproof, arriving high products standard and consistency.
- Application of environmental silicon material, makes the good weather-resistance possible.

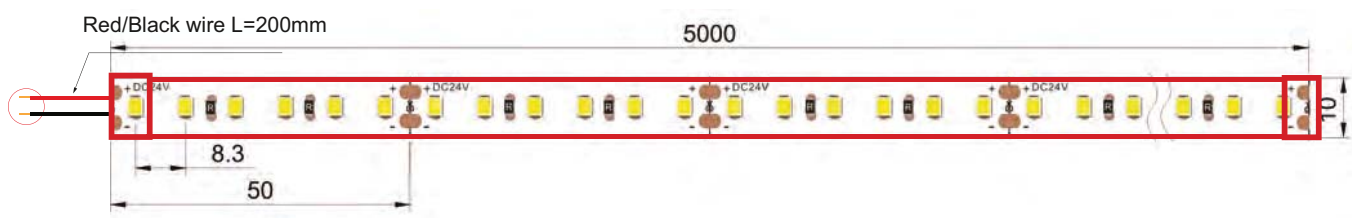
Professional structure design  
reduce the optical loss while  
increasing top light rate by 6-9%



# LED strip Colloid specifications comparison

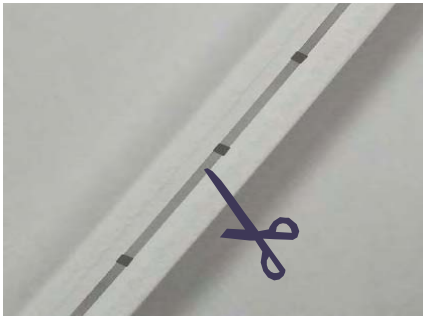
Materials	Silicone flexible led strip	PVC flexible led strip	Notes
Main parameters			
Colloid features in -40 °C	No crack after 30 days	Totally cracked	The low temperature resistant of silicone is superior than PVC or epoxy materials
Colloid features in 120 °C	No obvious change after 72 hours	Colloid changed into yellow and deformed after 2 hours	The high temperature resistant of silicone is superior than PVC or epoxy
Colloid features in 180 °C	No obvious change after 72 hours	Colloid changed into brown and some melted after 20 minutes	Over 150 °C , PVC is easily hydrolyzed, Viscosity becomes weaken and easily separated
Steadily lighted in Seawater for 72 hours	No obvious change	Serious atomization on the surface	The waterproof grade of silicone led strip can reach to IP67, high resistance to acidic alkali and salt properties
Thermal conductivity	Good thermal conductivity	No thermal conductivity	Pvc and epoxy cannot conduct heat, while silicone has good thermal conductivity

## Structure & Spec.



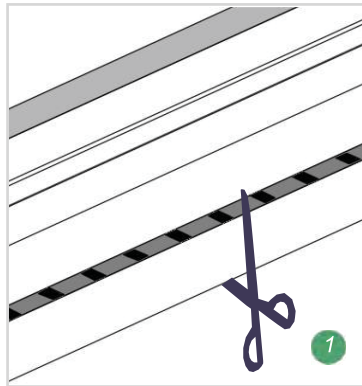
Model No.:	LED Type	Voltage	LED Q,ty/M
N0513	SMD2835	DC24V	120pcs
Watt	Colour temp	FPC Width	Working Temperature
14.4W/M	2700K/3000K/4000K/6000K	8 / 10 mm	-20~50 °C

# Cutting Method

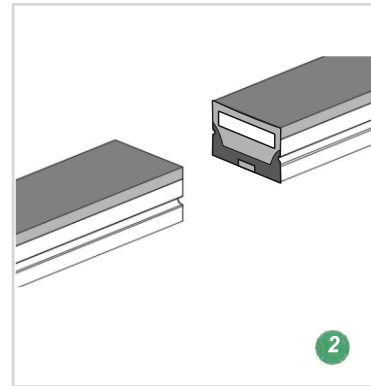


Cut it only at the cutting sign.

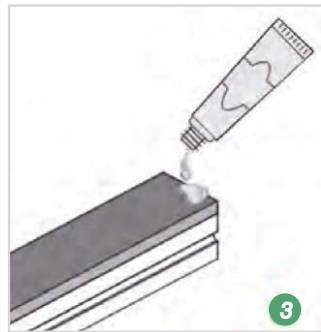
# Enclose the cutting end



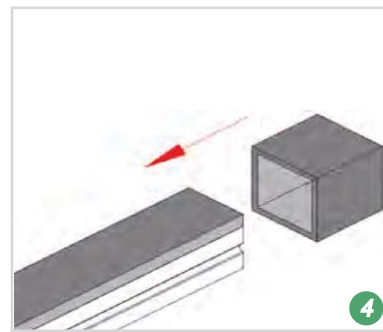
Cut



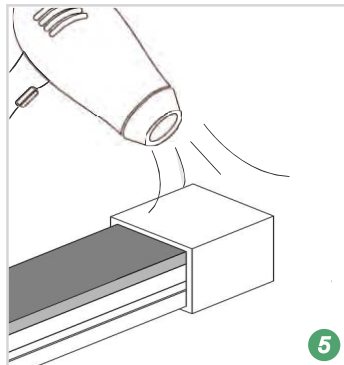
After Cutting



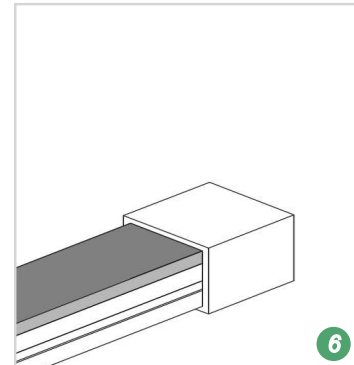
coat the section with glue uniformly after cutting



Insert the section into the plug according to direction of arrow



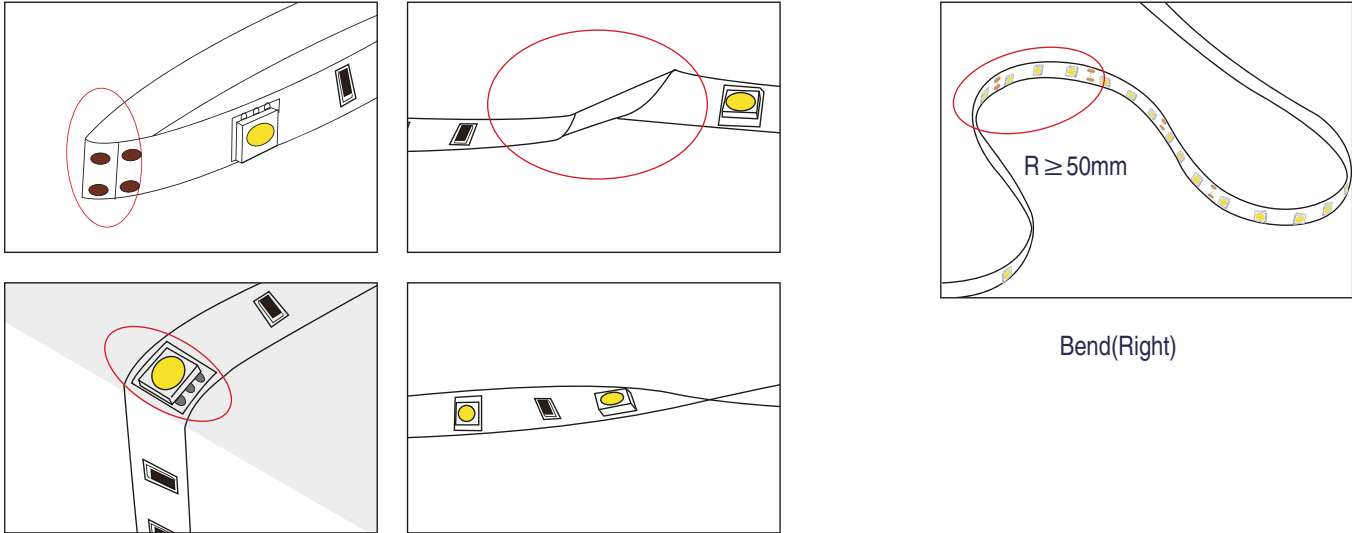
Dry the plug with hot wind or natural wind until make sure the installation is firm



The effect of finished plug installation

# CAUTIONS

➤ When install the led strip, please note the installation technique. The led strip can be bent, but not distorted, as shown below.



Distortion (Wrong)

➤ LED strips are low voltage products, you must use the power supply (transformer). Please don't connect the led strip directly to the AC 110v or AC 220v, otherwise it will burn out the LED strips.

➤ Clean up the installation surface, it will ensure the reliability of the adhesive. The electrical connection process must be operated by a professional person.

## Packaging



100m/Roll

1 Roll/box

inner size:  
355x355x155mm