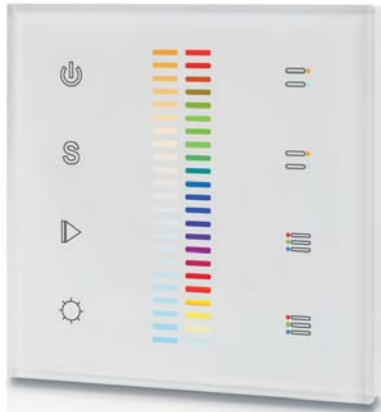


## RF Wall Mounted Touch Panel SR-2830RGB & CCT



### Feature

- Backlight
- Glass interface
- Touch sensitive
- Adjust RGB & color temperature



## Parameter

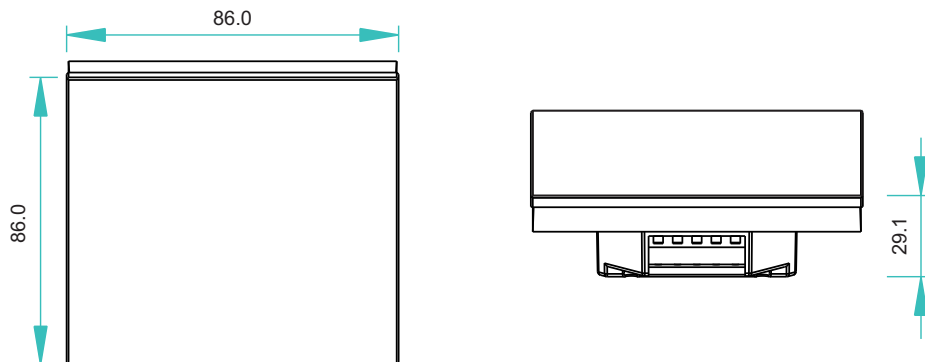
### Remote

| Part No.         | Operation Voltage | Operation Frequency | DIMENSIONS<br>ø/h (mm) | Remarks      |
|------------------|-------------------|---------------------|------------------------|--------------|
| SR-2830RGB & CCT | 12-24VDC          | 434MHz/868MHz       | 86x86x29.1             | Touch Sensor |

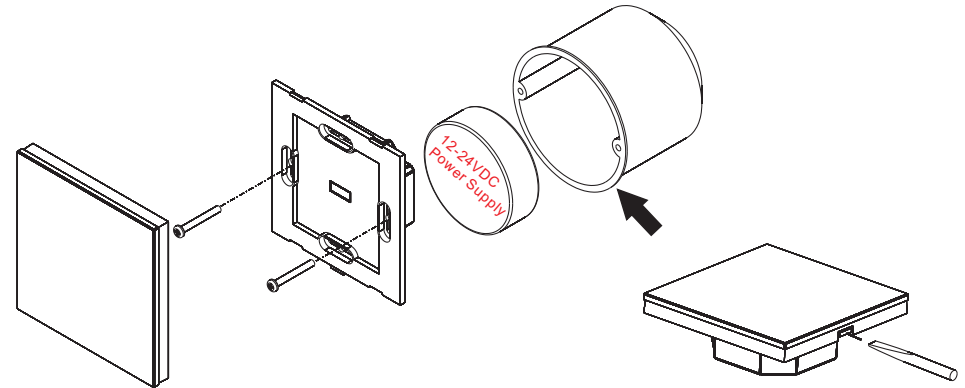
### Receiver

| Part No.   | Input Voltage | Current | Output        | Remarks          |
|------------|---------------|---------|---------------|------------------|
| SR-1009FA  | 12-36VDC      | 4x5A    | 4x(60-180)W   | Constant voltage |
| SR-1009EA  | 12-36VDC      | 4x8A    | 4x(96-288)W   | Constant voltage |
| SR-1009FA3 | 12-36VDC      | 4x350mA | 4x(4.2-12.6)W | Constant current |
| SR-1009FA7 | 12-36VDC      | 4x700mA | 4x(8.4-25.2)W | Constant current |

## Product Size

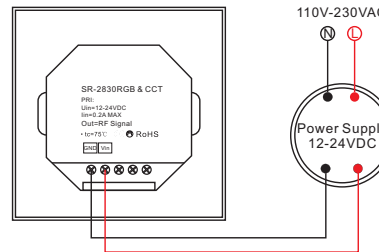


## Installation

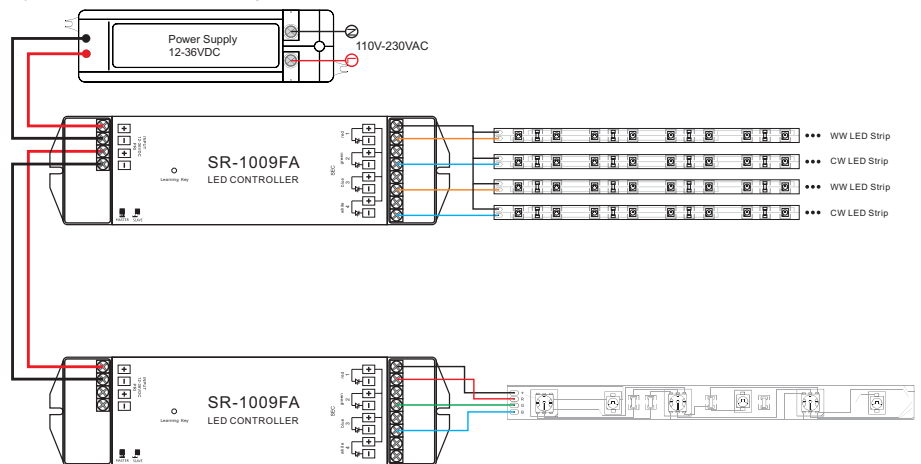


## Wiring diagram

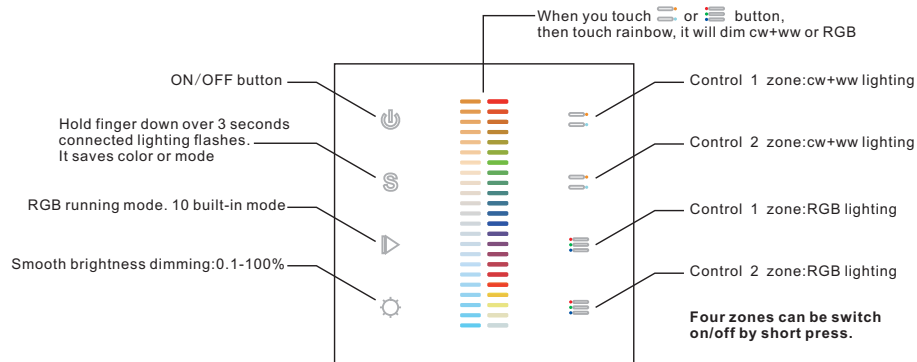
### 1) Sender Connection Diagram



### 2) Receiver Connection Diagram



## Description of buttons



## Operation

### Learning (matching)

- Do wiring according to connection diagram
- Wake up the wall mounted controller by touching ON/OFF button.
- Press learning button on receiver.
- Touch any zone button [zone button]
- Then slide the CCT+RGB rainbow on wall mounted controller
- Connected LED light will blink to confirm zone designation.
- Press at learning button on receiver over 5 seconds until LED light flash, then delete the learned ID.

### Save and recall

Save: Touch any zone button [zone button]

Touch color slider to get a color→

Hold S button for over 3 seconds, connected light flick means successfully saved.

Recall: Short touch button S →Recall the color saved.

**Note :** [zone button] only can learn for LED CW+WW lighting.

[zone button] only can learn for LED RGB lighting.

### Running mode

There are 10 build-in modes in [play button] button, which running modes are only for RGB lighting.

Short press on button [play button] to run mode. Hold finger down on [play button] button can speed up /down.

### Dimming

Hold your finger down on button [gear icon], brightness will dim smoothly from 0.1% to 100%.

## Attention

- The product shall be installed with qualified person
- IP20.Please avoid the sun and rain. When installed outdoors, please ensure it is mounted in a water proof enclosure.
- Always be sure to mount this unit in an area with proper ventilation to avoid overheating.
- Please check if the output voltage of any LED power supplies used comply with the working voltage of the product.
- Never connect any cables while power is on and always assure correct connections to avoid short circuits before switching on.
- Please ensure that the cable is secured tightly in the connector
- For updated information please consult your supplier.

## Warranty Agreement

- We provide lifelong technical assistance with this product:
  - 3-year warranty. We print produce date on every products, for example :1125 means year 2011, week 25.The warranty is for free repair or replacement and covers manufacturing faults only.
  - For faults beyond the 3-year warranty we reserve the right to charge for time and parts.
- Limited Warranty
  - Any defects caused by wrong operation.
  - Any damages caused by unauthorized removal, maintenance, modifying, incorrect connection and replacement of chips.
  - Any damages due to transportation, vibration etc. after purchase.
  - Any damages caused by earthquake, fire, lightning, pollution and abnormal voltage.
  - Any damages caused by negligence, inappropriate storing at high temperatures and humidity or near harmful chemicals.
- Repair or replacement as provided under this warranty is the exclusive remedy to the customer.