

Wall Touch Panel DMX512 Controller

SR-2832DMX



Feature

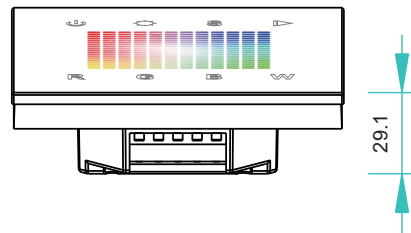
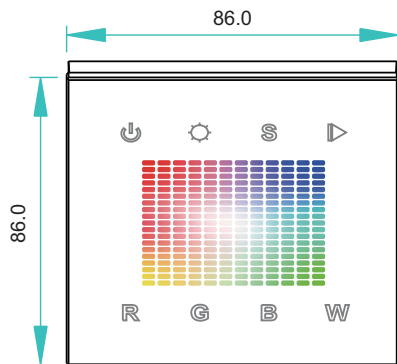
- Unique Design- Square color pad
- Sensitive Full Touch New Technology
- Special Glass Interface(white&black)
- Control 1 zone synchronously
- Save 1 color/scene for each zone



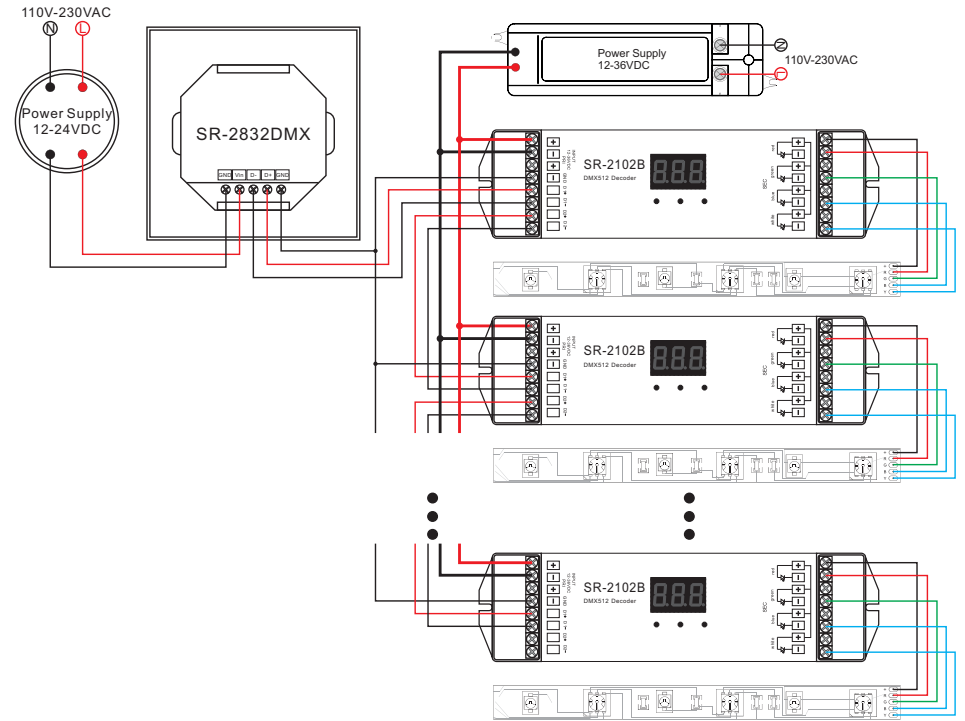
Parameter

Part No.	Operation Voltage	OUTPUT	DIMENSIONS ø/h (mm)
SR-2812B	12-24VDC	DMX512 Signal	86x86x29.1

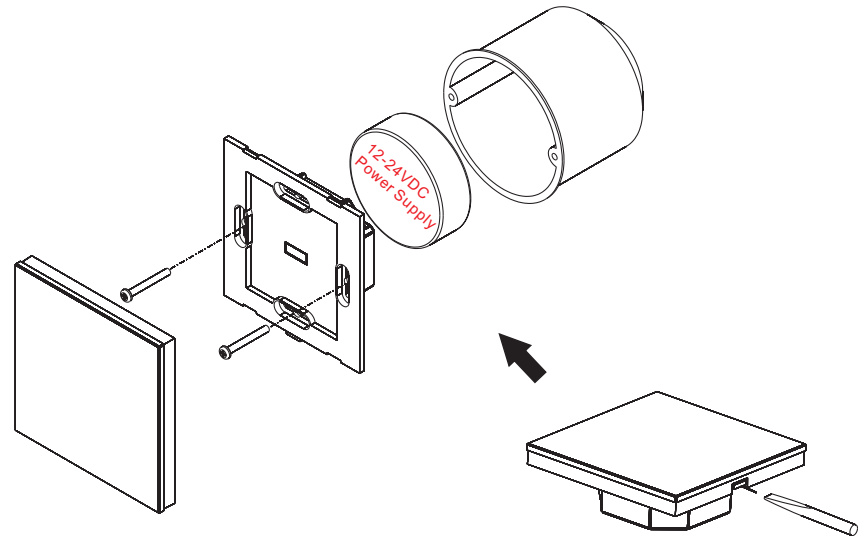
Product Size



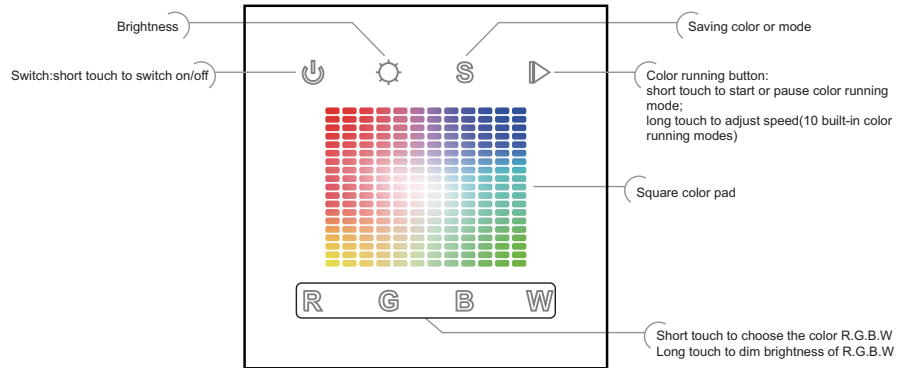
Wiring diagram



Installation



Description of buttons



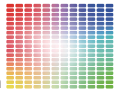
Operation

1. How to delete the learning ID?

Long press the learning key over 5 seconds, till the led light flash.

2. How to save color /mode ?

Choose zone



Touch square pad to choose color-(or touch play button to choose mode)

Touch 'S' over 3 seconds until led light flash

Then one color/mode has been successfully saved.

Safety & Warnings

- 1) The product shall be installed and serviced by a qualified person.
- 2) IP20. Please avoid the sun and rain. When installed outdoors, please ensure it is mounted in a water proof enclosure.
- 3) Always be sure to mount this unit in an area with proper ventilation to avoid overheating.
- 4) Please check if the output voltage of any LED power supplies used comply with the working voltage of the product.
- 5) Never connect any cables while power is on and always assure correct connections to avoid short circuits before switching on.
- 6) Please ensure that the cable is secured tightly in the connector
- 7) For update information please consult your supplier.

Warranty Agreement

1) We provide lifelong technical assistance with this product:

- 5-year warranty. We print date on every products, for example :1125 means year 2011, week 25. The warranty is for free repair or replacement and covers manufacturing faults only.

- For faults beyond the 5-year warranty we reserve the right to charge for time and parts.

2) Limited Warranty

- Any defects caused by wrong operation.

- Any damages caused by unauthorized removal, maintenance, modifying, incorrect connection and replacement of chips.

- Any damages due to transportation, vibration etc. after purchase.

- Any damages caused by earthquake, fire, lightning, pollution and abnormal voltage.

- Any damages caused by negligence, inappropriate storing at high temperatures and humidity or near harmful chemicals.

- Product has been updated

3) Repair or replacement as provided under this warranty is the exclusive remedy to the customer.