

Full Touch RGBW Remote Control Panel

SR-2831S



Patent

Feature

- Unique Design- Square color pad
- Sensitive Full Touch New Technology
- Special Glass Interface(white&black)
- Control 1 zone synchronously
- Save 1 color/scene for each zone



Parameter

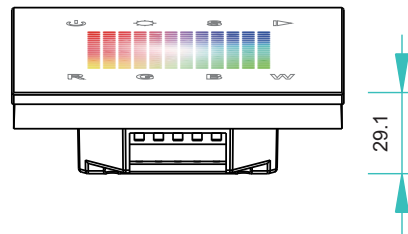
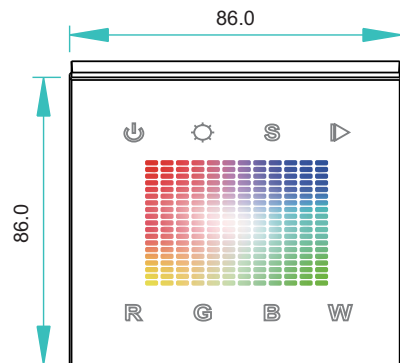
Remote

Part No.	Operation Voltage	Operation Frequency	DIMENSIONS ø/h (mm)	Remarks
SR-2831S-AC	100-240VAC	434MHz/868MHz	86x86x29.1	Touch Sensor
SR-2831S-DC	12-24VDC	434MHz/868MHz	86x86x29.1	Touch Sensor

Receiver

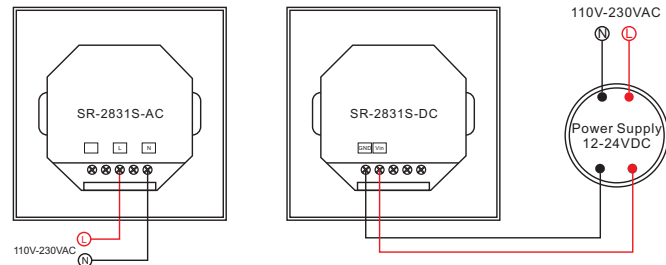
Part No.	Input Voltage	Current	Output	Remarks
SR-1009FA	12-36VDC	4x5A	4x(60-180)W	Constant voltage
SR-1009EA	12-36VDC	4x8A	4x(96-288)W	Constant voltage
SR-1009FA3	12-36VDC	4x350mA	4x(4.2-12.6)W	Constant current
SR-1009FA7	12-36VDC	4x700mA	4x(8.4-25.2)W	Constant current

Product Size

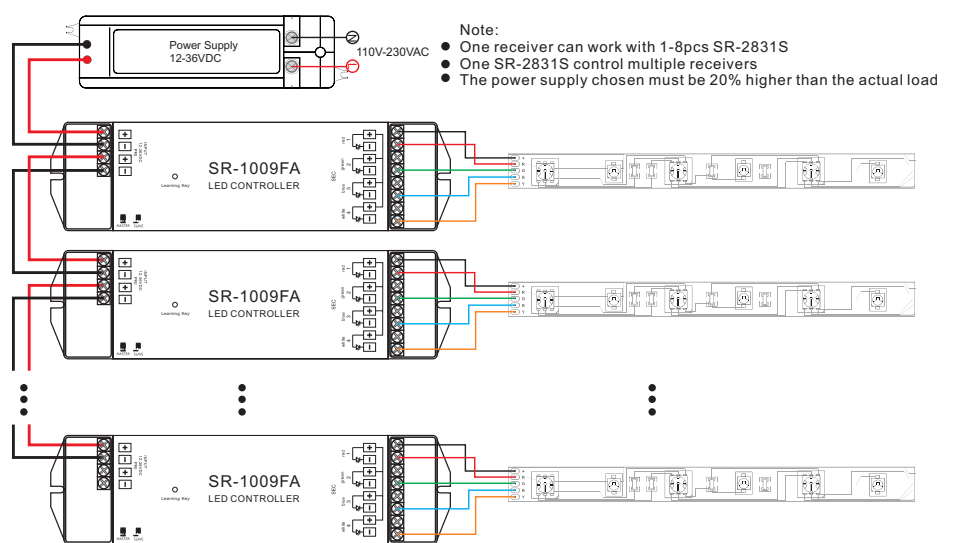


Wiring diagram

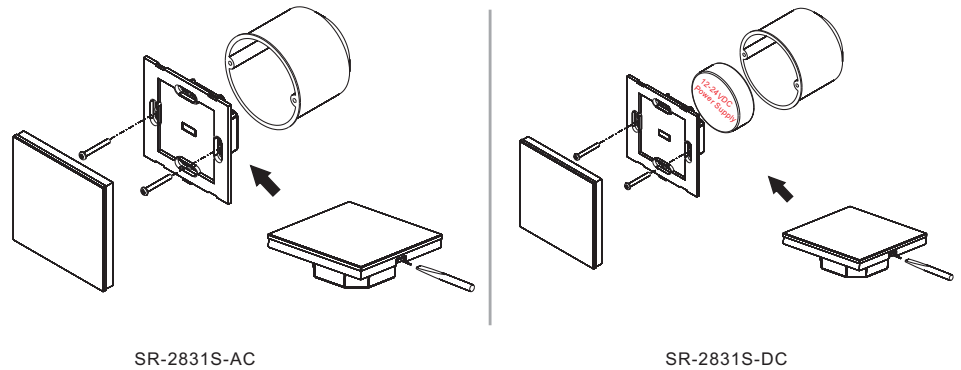
1) Sender Connection Diagram



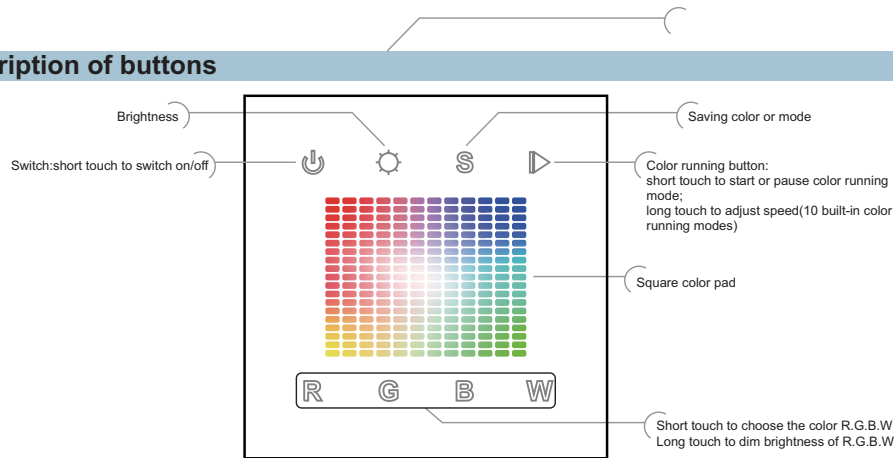
2) Receiver Connection Diagram for Multiple Units



Installation



Description of buttons



Operation

1. Do wiring according to the wiring diagram.

2. Do Learning

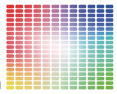
- Wake up the panel by touching ON/OFF button
- Press at learning key on receiver SR-1009XX
- Touch any zone button on panel
- Touch color wheel
- connected led light flash means successfully learning.

3. How to delete the learning ID?

Long press the learning key over 5 seconds, till the led light flash.

4. How to save color /mode ?

Choose zone



Touch square pad to choose color-(or touch to choose mode)

Touch over 3 seconds until led light flash

Then one color/mode has been successfully saved.

5. How to set master?

To choose a master from slaves by jumper for each zone.

Close circuit for master

Open circuit for slave

One zone only can set one receiver driver to be master, All others are slaves in same zone.

After a period of time, the master will do synchronization operation to keep same color /mode of all slaves in one zone.

Safety & Warnings

- The product shall be installed and serviced by a qualified person.
- IP20. Please avoid the sun and rain. When installed outdoors, please ensure it is mounted in a water proof enclosure.
- Always be sure to mount this unit in an area with proper ventilation to avoid overheating.
- Please check if the output voltage of any LED power supplies used comply with the working voltage of the product.
- Never connect any cables while power is on and always assure correct connections to avoid short circuits before switching on.
- Please ensure that the cable is secured tightly in the connector
- For update information please consult your supplier.

Warranty Agreement

1) We provide lifelong technical assistance with this product:

- 5-year warranty. We print date on every products, for example :1125 means year 2011, week 25. The warranty is for free repair or replacement and covers manufacturing faults only.

- For faults beyond the 5-year warranty we reserve the right to charge for time and parts.

2) Limited Warranty

- Any defects caused by wrong operation.

- Any damages caused by unauthorized removal, maintenance, modifying, incorrect connection and replacement of chips.

- Any damages due to transportation, vibration etc. after purchase.

- Any damages caused by earthquake, fire, lightning, pollution and abnormal voltage.

- Any damages caused by negligence, inappropriate storing at high temperatures and humidity or near harmful chemicals.

- Product has been updated

3) Repair or replacement as provided under this warranty is the exclusive remedy to the customer.