

Universal series RF Receiver

09.009CS.04007



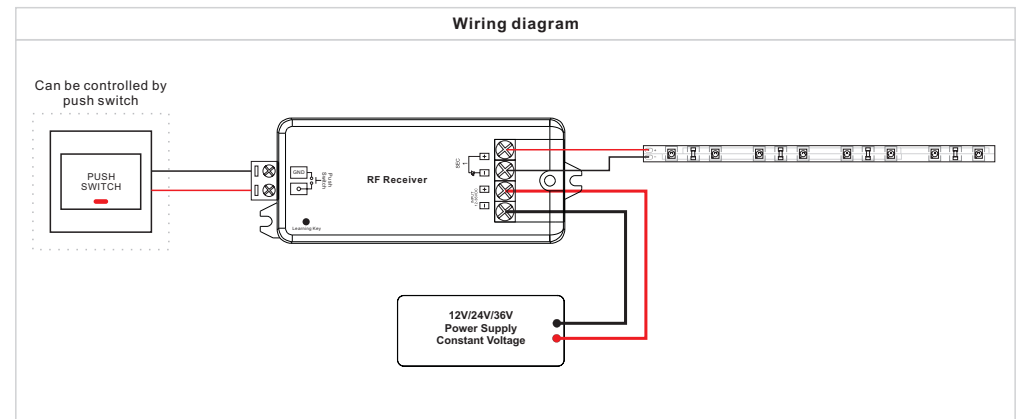
1. Pair RF Receiver with RF remote:

- 1.1. Connect and wire up the RF receiver correctly, power on.
- 1.2. Turn on the remote, click the "Learning Key" button on receiver, immediately click zone number then touch color wheel on remote, the connected led light on receiver flickers twice, means well paired.
- 1.3. When connected to Push Switch, short press push switch for switch ON/OFF, long press push switch to dim up/down the brightness

Note: one receiver can be paired with max 8 remote controls.

2. Delete the pairing:

- 2.1. Wire up the RF receiver correctly, power on
- 2.2. Hold the " Learning Key" button on receiver over 3 seconds until the connected led light on receiver flickers twice, means well deleted.



Picture		Function introduction		
		<p>● Waterproof grade: IP20 ● Radio Frequency : 868mhz</p>		
No.	Input Voltage	Output Current	Output Power	Remarks
1	12-36VDC	1x8A	1x(96-288)W	Constant voltage
2	12-36VDC	1x350mA	1x(4.2-12.6)W	Constant current
3	12-36VDC	1x700mA	1x(8.4-25.2)W	Constant current
Size				