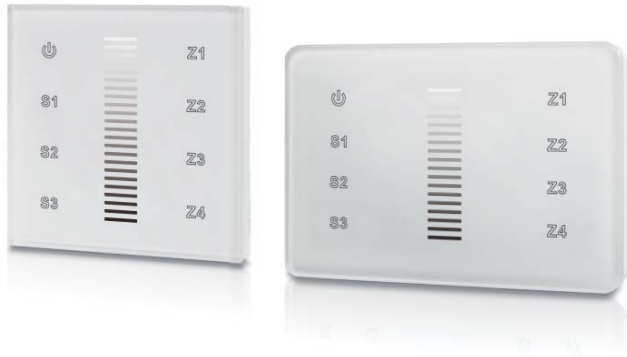


RF Wall Mounted Touch Panel

SR-2830A



- Feature**
- Backlight
 - Glass interface(White & Black)
 - Touch sensitive
 - Adjust brightness



Parameter

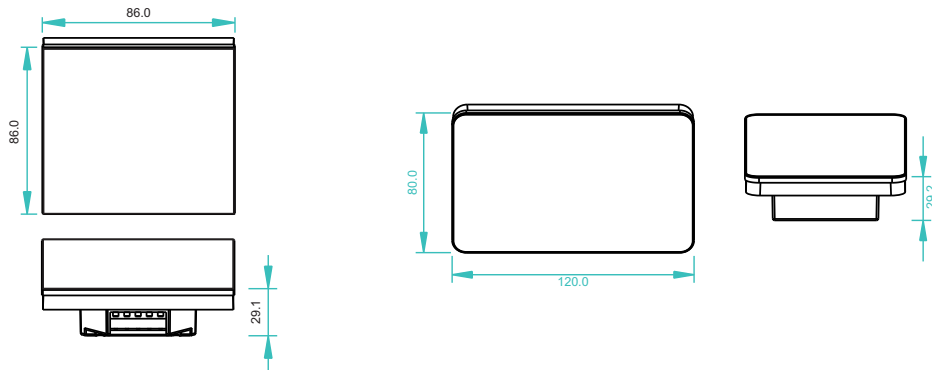
Remote

Part No.	Operation Voltage	Operation Frequency	DIMENSIONS ø/h (mm)	Remarks
SR-2830A	12-24VDC/ 100-240VAC	434MHz/868MHz	86x86x29.1	Touch Sensor
SR-2830A(IT)	12-24VDC	434MHz/868MHz	120x80x29.1	Touch Sensor

Receiver

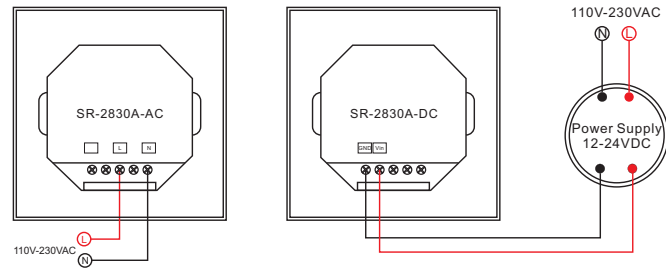
Part No.	Input Voltage	Current	Output	Remarks
SR-1009FA	12-36VDC	4x5A	4x(60-180)W	Constant voltage
SR-1009EA	12-36VDC	4x8A	4x(96-288)W	Constant voltage
SR-1009FA3	12-36VDC	4x350mA	4x(4.2-12.6)W	Constant current
SR-1009FA7	12-36VDC	4x700mA	4x(8.4-25.2)W	Constant current

Product Size

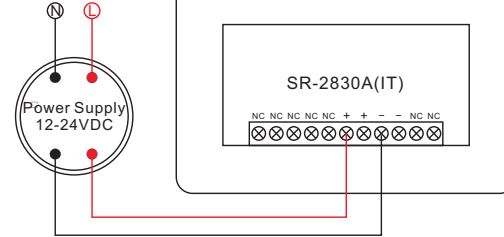


Wiring diagram

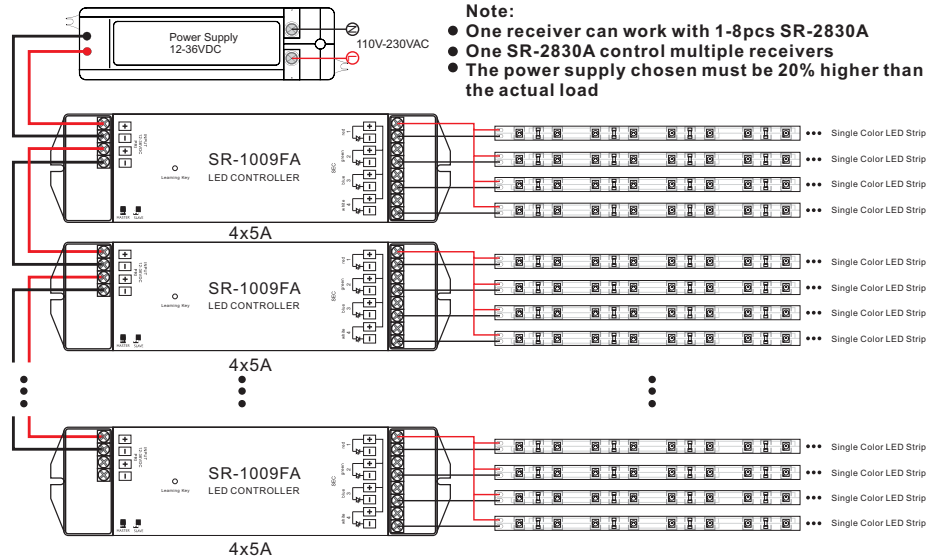
1) Sender Connection Diagram



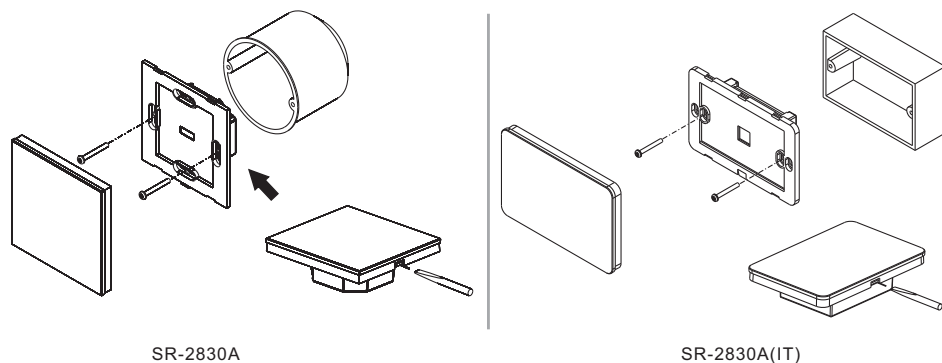
110-230VAC



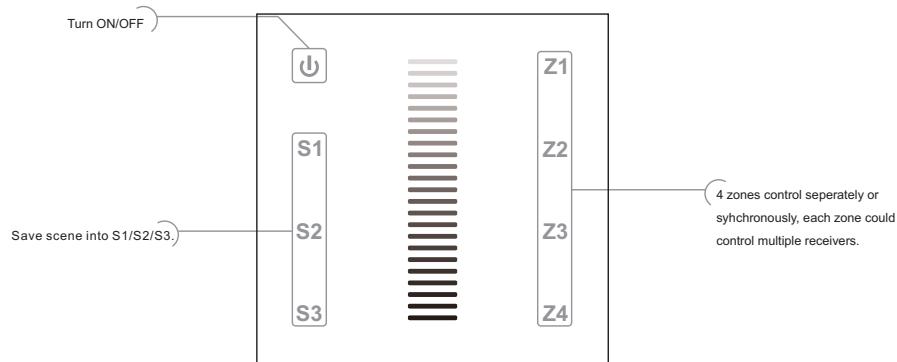
2) Receiver Connection Diagram for Multiple Units



Installation



Description of buttons



Operation

1. Learning ID with SR-1009 series:

Click learning button on RF receiver (SR-1009XX)→
 Short Touch a zone button Z1,Z2,Z3 or Z4 (sender 2830)→Touch dimming slider
 The light flick means ID learnt successfully.
 Touch zone button Z1/Z2/Z3/Z4 separately over 2 seconds, which will turn ON/OFF separately.
 The backlight blue is ON for the zone, yellow is OFF for the zone.

Notice : Each sender can control 4 different zones separately, each zone can be learned endless receivers , so one sender can control as many receivers as you can.

2. Save and replay

Save: Touch dimming slider to get a color→
 Hold any button of S1,S2 or S3 over 2 seconds(4zones work together)
 The light flick means successfully saved.

Replay: Short touch button S1,S2 or S3 →Replay the scene just saved.

Note:

- This controller is RF signal to receivers, no need cable.
- AC version no need driver, working directly at electric supply 100-230VAC.
 The DC version need a driver 12/24V.

Safety & Warnings

- 1) The product shall be installed and serviced by a qualified person.
- 2) IP20.Please avoid the sun and rain. When installed outdoors, please ensure it is mounted in a water proof enclosure.
- 3) Always be sure to mount this unit in an area with proper ventilation to avoid overheating.
- 4) Please check if the output voltage of any LED power supplies used comply with the working voltage of the product.
- 5) Never connect any cables while power is on and always assure correct connections to avoid short circuits before switching on.
- 6) Please ensure that the cable is secured tightly in the connector
- 7) For update information please consult your supplier.

Warranty Agreement

- 1) We provide lifelong technical assistance with this product:
 - 3-year warranty. We print date on every products, for example :1125 means year 2011 ,week 25.The warranty is for free repair or replacement and covers manufacturing faults only.
 - For faults beyond the 3-year warranty we reserve the right to charge for time and parts.
- 2) Limited Warranty
 - Any defects caused by wrong operation.
 - Any damages caused by unauthorized removal, maintenance, modifying, incorrect connection and replacement of chips.
 - Any damages due to transportation, vibration etc. after purchase.
 - Any damages caused by earthquake, fire, lightning, pollution and abnormal voltage.
 - Any damages caused by negligence, inappropriate storing at high temperatures and humidity or near harmful chemicals.
 - Product has been updated
- 3) Repair or replacement as provided under this warranty is the exclusive remedy to the customer.