

# RF wireless LED remote controller

Model:SR-2819CCT with SR-1009Fxx



- Six zones/areas
- Press-button color temperature dimmer
- Receivers work with WFI-RF converter to be controlled by smart phone



## Parameter

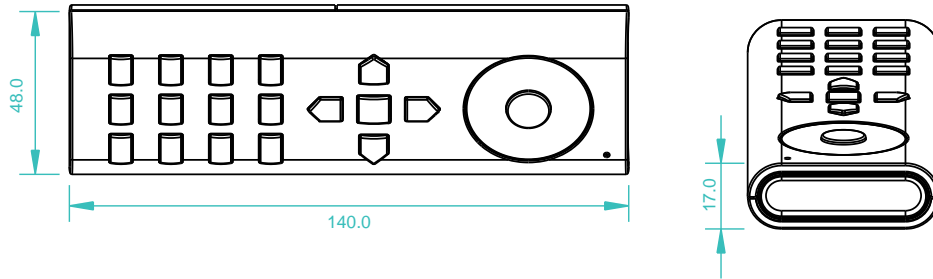
### Remote

Part No.	Operation Voltage	Operation Frequency	DIMENSIONS ø/h (mm)	Remarks
SR-2819CCT	3.6VDC	434MHz/868MHz	48x140x16	load 3pcs 7 AAA (1.5V) batteries

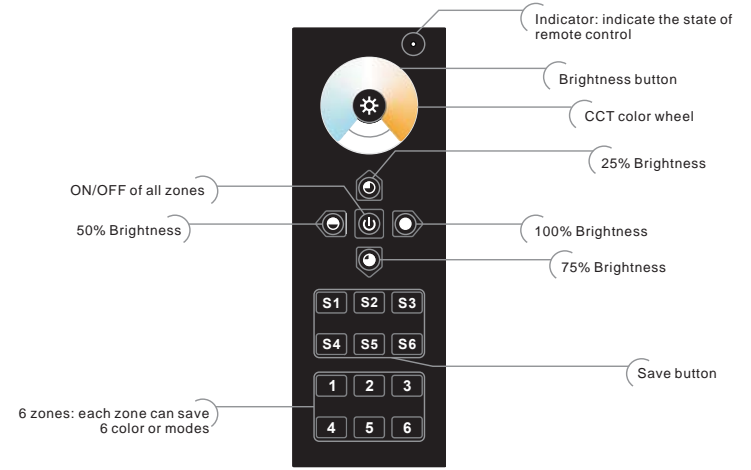
### Receiver

Part No.	Input Voltage	Output Current	Output Power	Remarks
SR-1009FA	12-36VDC	4x5A	4x(60-180)W	Constant voltage
SR-1009EA	12-36VDC	4x8A	4x(96-288)W	Constant voltage
SR-1009FA3	12-36VDC	4x350mA	4x(4.2-12.6)W	Constant current
SR-1009FA7	12-36VDC	4x700mA	4x(8.4-25.2)W	Constant current

## Product Size

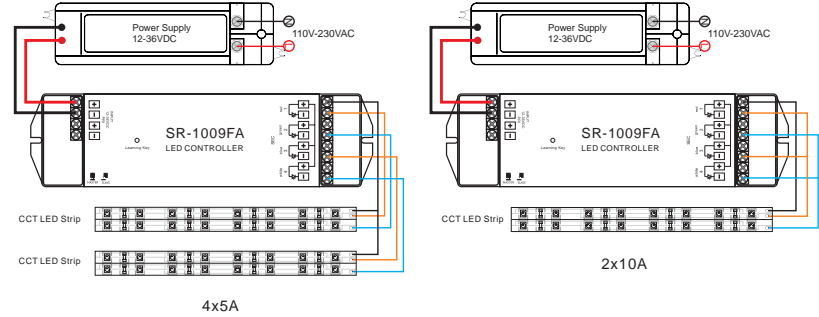


## Brief introduction of buttons

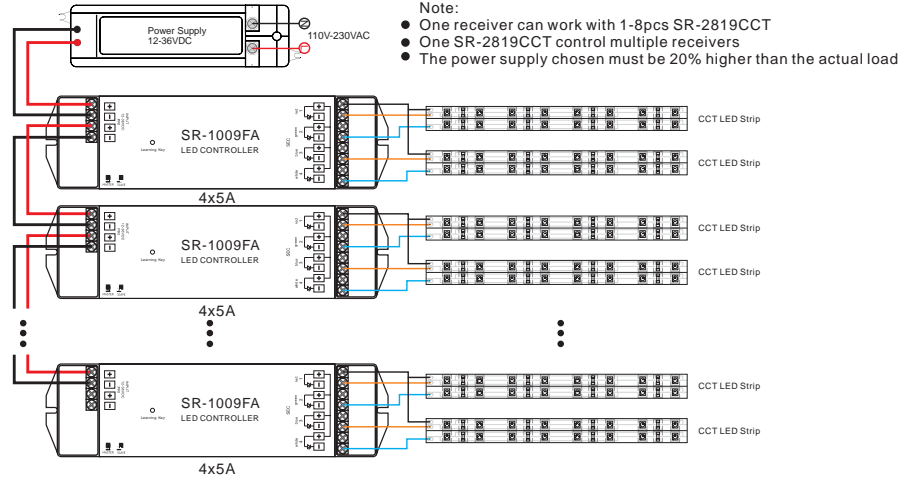


## Wiring diagram

### 1)Receiver Connection Diagram for Single Unit



### 2)Receiver Connection Diagram for Multiple Units



## Operation

### Learning (matching)

- Do wiring according to connection diagram
- Wake up the remote control by touching ON/OFF button.
- Press learning button on receiver.
- Touch any zone button on remote control.
- Then touch color wheel.
- Connected LED light will blink to confirm zone designation.
- Press at learning button on receiver over 5 seconds until LED light flash, then delete the learned ID.

**Note: Each remote control 6 zones (areas) receivers, each area can be learned as many receivers as we can.**

**Each receiver maximally can be controlled by 8 different remote controllers.**


### Color Temperature wheel


Choose zone number **1** **2** **3** for example, **1** and **3** then touch , choose the color temperature



you want, zone **1** and **3** will indicate corresponding color temperature as we touched.

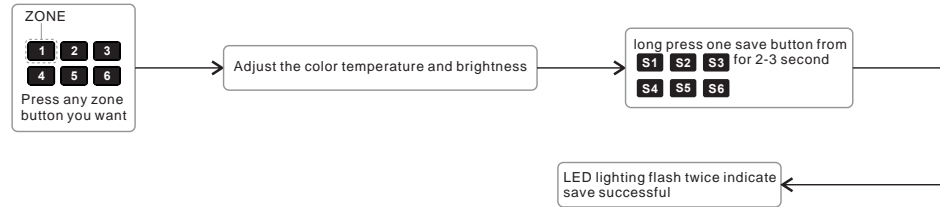
### Brightness down or up button

Long press  to adjust the brightness up or down.

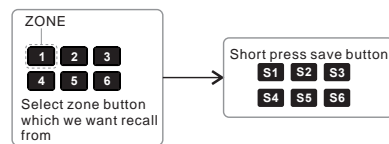
Short press  to adjust the brightness to 25%, 50%, 75% and 100%.

### Save and recall button

a. Save Color temperature



b. Recall



## Safety & Warnings

- The product shall be installed and serviced by a qualified person.
- IP20. Please avoid the sun and rain. When installed outdoors, please ensure it is mounted in a water proof enclosure.
- Always be sure to mount this unit in an area with proper ventilation to avoid overheating.
- Please check if the output voltage of any LED power supplies used comply with the working voltage of the product.
- Never connect any cables while power is on and always assure correct connections to avoid short circuits before switching on.
- Please ensure that the cable is secured tightly in the connector
- For update information please consult your supplier.

## Warranty Agreement

1) We provide lifelong technical assistance with this product:

- 5-year warranty. We print date on every products, for example :1125 means year 2011, week 25. The warranty is for free repair or replacement and covers manufacturing faults only.

- For faults beyond the 5-year warranty we reserve the right to charge for time and parts.

2) Limited Warranty

- Any defects caused by wrong operation.

- Any damages caused by unauthorized removal, maintenance, modifying, incorrect connection and replacement of chips.

- Any damages due to transportation, vibration etc. after purchase.

- Any damages caused by earthquake, fire, lightning, pollution and abnormal voltage.

- Any damages caused by negligence, inappropriate storing at high temperatures and humidity or near harmful chemicals.

- Product has been updated

3) Repair or replacement as provided under this warranty is the exclusive remedy to the customer.