

RF Wall Mounted Touch Panel

SR-2830B-AC/SR-2830B-DC



Feature

- Backlight
- Glass interface(White & Black)
- Touch sensitive
- Adjust brightness & color temperature



Parameter

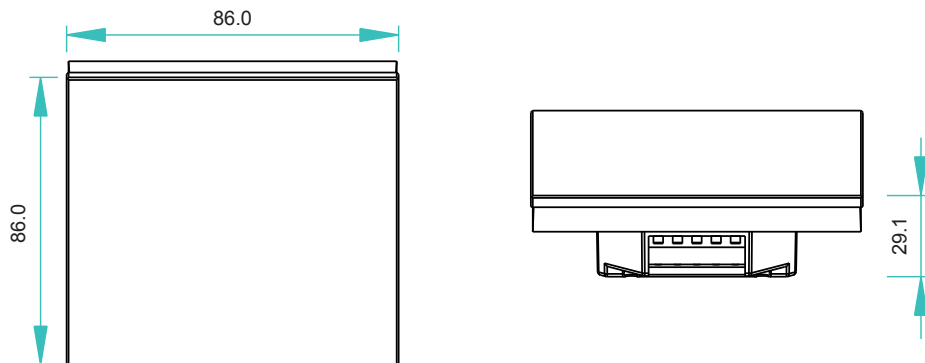
■ Sender

Item NO. :SR-2830B-AC/SR-2830B-DC
 Input voltage:100V-240VAC/12-24VDC
 Output:RF signal(434MHz/868MHz)

■ Corresponding Receiver

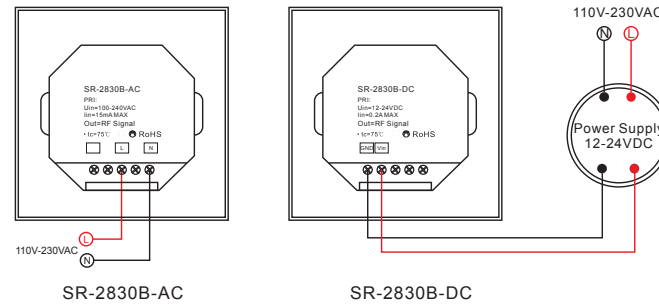
1009FA: 12-36VDC input,4 channels x 5A, constant voltage, 4 channels x (60-180)W
 1009FA3:12-36VDC input,4 channels x 350mA, constant current, 4 channels x (4.2-12.6)W
 1009FA7:12-36VDC input,4 channels x 700mA, constant current, 4 channels x (8.4-25.2)W
 1009EA: 12-36VDC input,4 channels x 8A, constant voltage, 4 channels x (96-288)W

Product Size

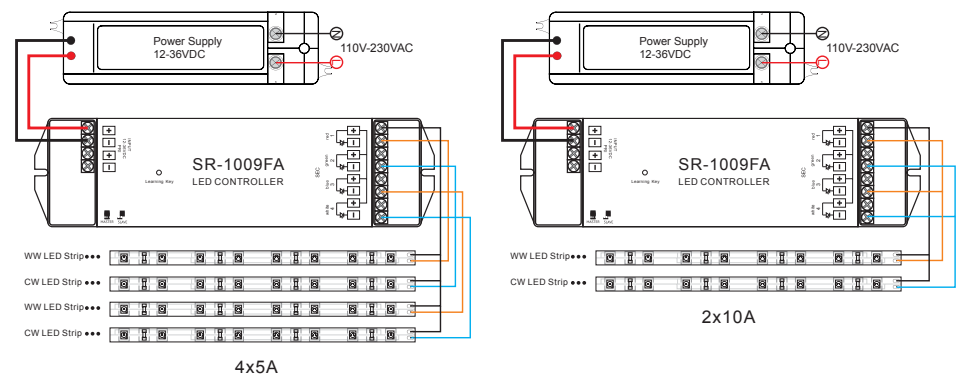


Wiring diagram

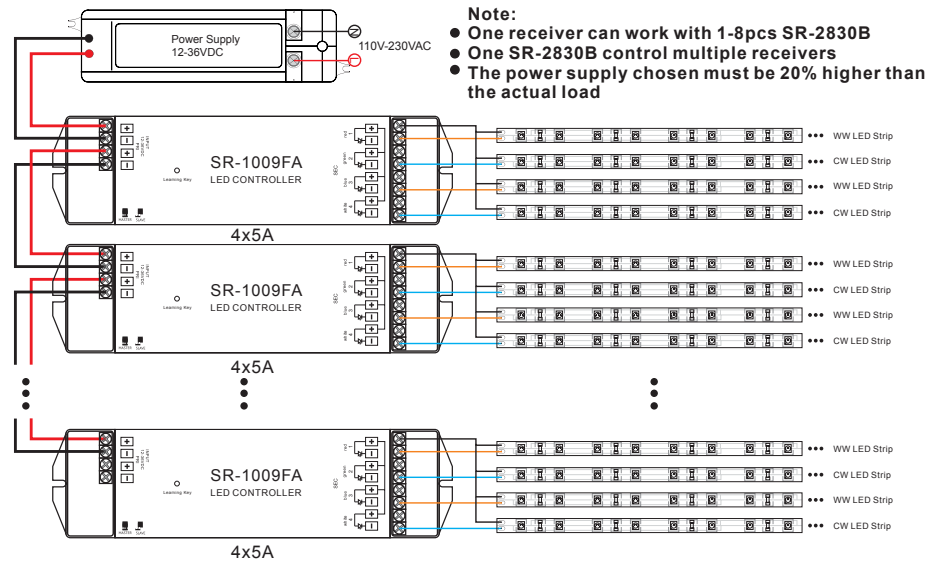
1)Sender Connection Diagram



2)Receiver Connection Diagram for Single Unit



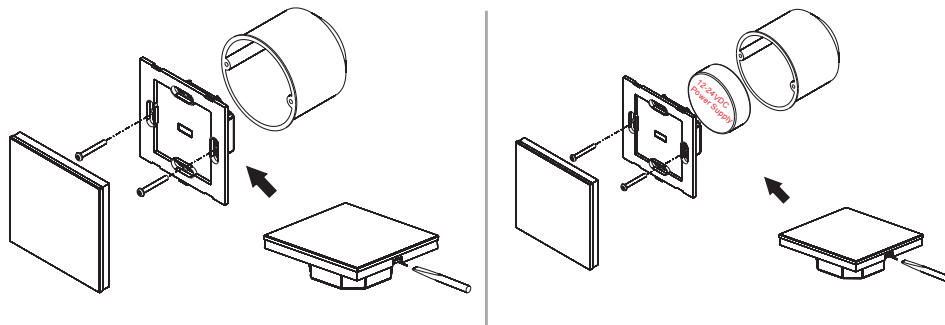
3)Receiver Connection Diagram for Multiple Units



Note:

- One receiver can work with 1-8pcs SR-2830B
- One SR-2830B control multiple receivers
- The power supply chosen must be 20% higher than the actual load

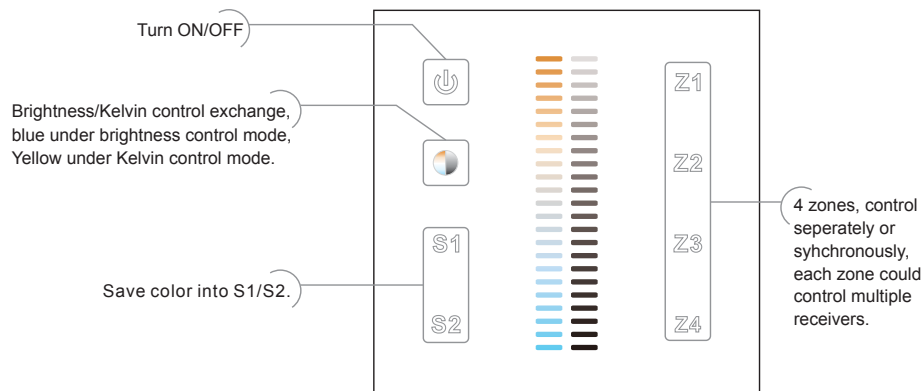
Installation



SR-2830B-AC

SR-2830B-DC

Description of buttons



Operation

- Switch**
 Touch on/off button, all zones on/off, Blue when playing. Yellow when off.
 Once turn on, the default setting is under brightness control mode
 Touch zone button Z1/Z2/Z3/Z4 separately over 2 seconds, which will turn ON/OFF separately.
 The backlight blue is ON for the zone, yellow is OFF for the zone.
- Learning ID with SR-1009 series**
 Re: Click learning button on RF receiver (SR-1009)→
 Short Touch a zone button Z1 or Z2 (sender SR-2830B)→Touch color slider
 The light flicker means ID learnt successfully.
- Save and recall**
 Save: Touch color slider to get a color→
 Hold any button of S1 or S2 over 2 seconds under 4 zones work together
 The light flick means successfully saved.
 Recall: Short touch button S1 or S2 →Recall the color saved.

Note:

- This controller is RF signal to receivers, no need cable.
- AC version no need driver, working directly at electric supply 100-240VAC.
The DC version need a driver 12/24V.

Attention

- 1) The product shall be installed with qualified person
- 2) IP20. Please avoid the sun and rain. When installed outdoors, please ensure it is mounted in a water proof enclosure.
- 3) Always be sure to mount this unit in an area with proper ventilation to avoid overheating.
- 4) Please check if the output voltage of any LED power supplies used comply with the working voltage of the product.
- 5) Never connect any cables while power is on and always assure correct connections to avoid short circuits before switching on.
- 6) Please ensure that the cable is secured tightly in the connector
- 7) For updated information please consult your supplier.

Warranty Agreement

- 1) We provide lifelong technical assistance with this product:
 - 3-year warranty. We print produce date on every products, for example :1125 means year 2011, week 25. The warranty is for free repair or replacement and covers manufacturing faults only.
 - For faults beyond the 3-year warranty we reserve the right to charge for time and parts.
- 2) Limited Warranty
 - Any defects caused by wrong operation.
 - Any damages caused by unauthorized removal, maintenance, modifying, incorrect connection and replacement of chips.
 - Any damages due to transportation, vibration etc. after purchase.
 - Any damages caused by earthquake, fire, lightning, pollution and abnormal voltage.
 - Any damages caused by negligence, inappropriate storing at high temperatures and humidity or near harmful chemicals.
- 3) Repair or replacement as provided under this warranty is the exclusive remedy to the customer.