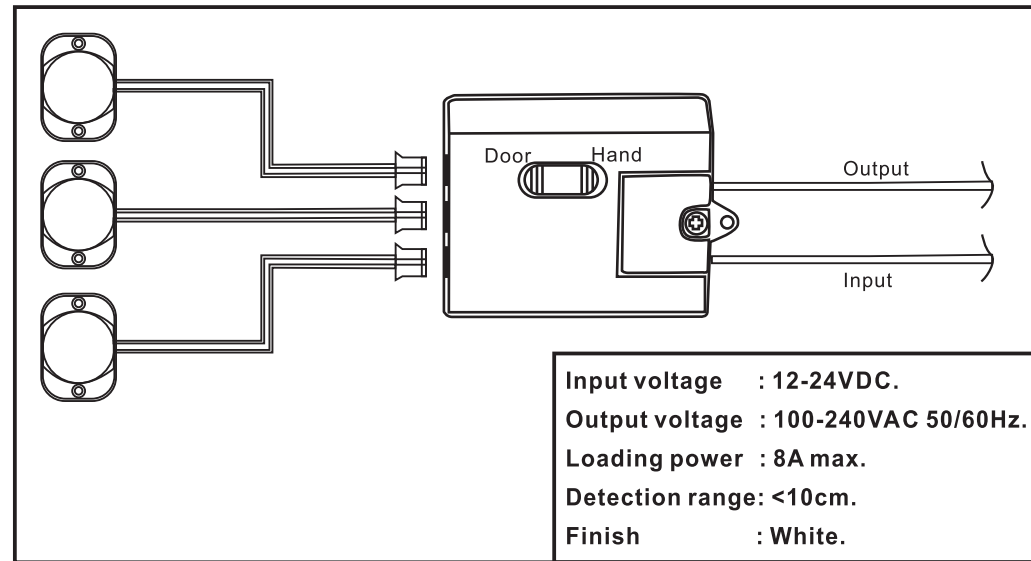


IR Door/Hand switch



Door Mode

Features:

- 1,3 dectors in the sensor unit.
- 2, Perfect for using in wardrobes with three doors or sliding doors.

Function description:

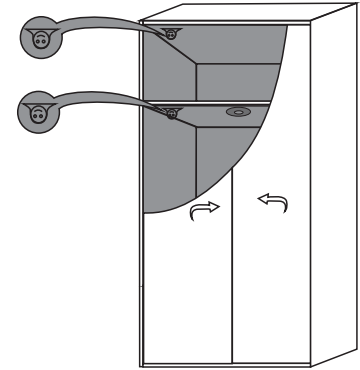
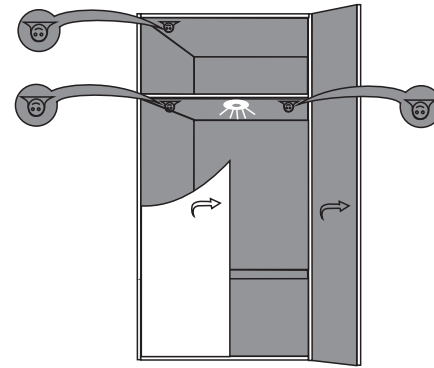
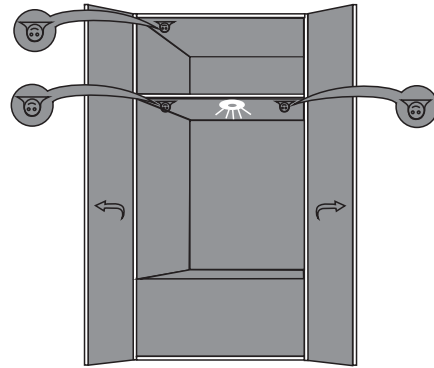
- 1, When there are target objects in the detecting range of all the three detectors, the LED light switches OFF.
- 2, When there are no target object in the detecting range of ANY of the detectors, the LED light switches ON.

Warning : Cut off power before changing Door/Hand mode.

Door Mode

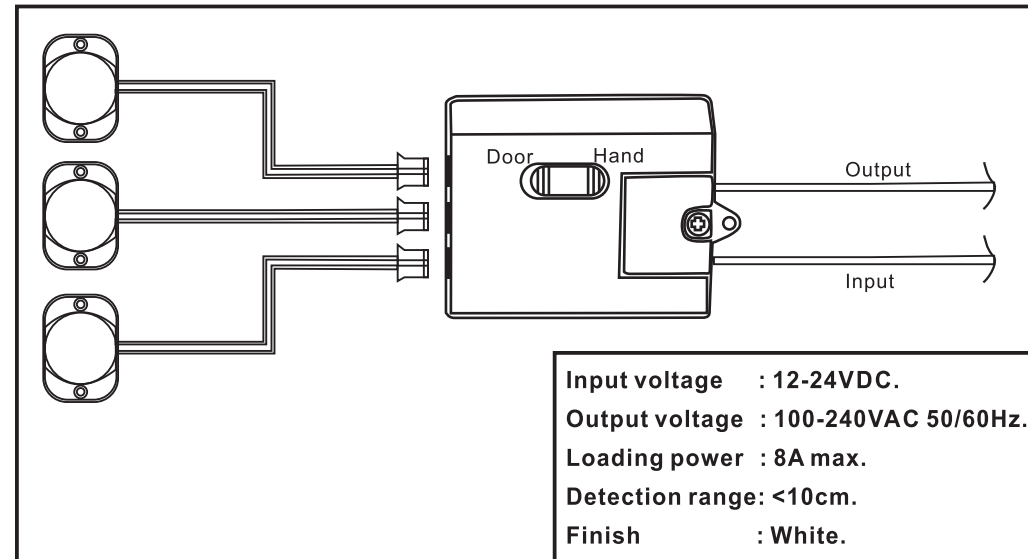


Surface mounted



Hand control sensor switch(Three detector)

IR Door/Hand switch



Hand Mode

Features:

3 detectors in the sensor unit.

Function description:

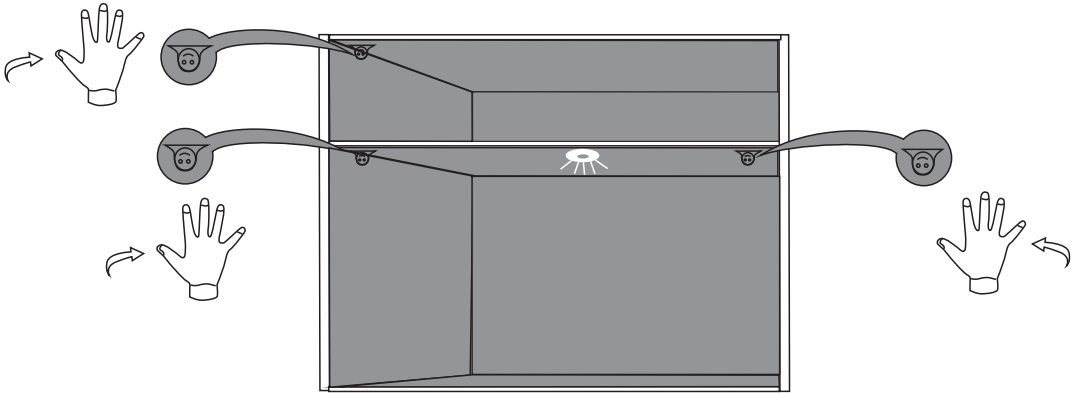
- 1, When the target object is in the detecting range of ANY of the detectors 1st time, the LED light switches ON.
- 2, When the target object is in the detecting range of ANY of the detectors 2nd time, the LED light switches OFF.

Warning : Cut off power before changing Door/Hand mode.

Hand Mode



(1) Surface mounted



(2) Recessed Mounting

