

Product Features

This 8-zone smart panel remote is made of elegant stalinite panel and high-precision touching IC; touching is more stable and sensitive. And adopt world-wide used 2.4GHz frequency, GFSK control method, with the features of low power consumption, long distance transmitting, strong anti-interference and fast communication rate; can control specified Mi-Light smart light with color, color temperature, saturation and brightness changing. Working on all our Mi-light LED bulb, controller and panel controllers, etc.

Technical Parameters

Input Voltage: 3V(2*AAA Battery) / DC3.3V

Working Temperature: -20~60°C

Radio Frequency: 2400-2483.5MHz

Modulation Method: GFSK

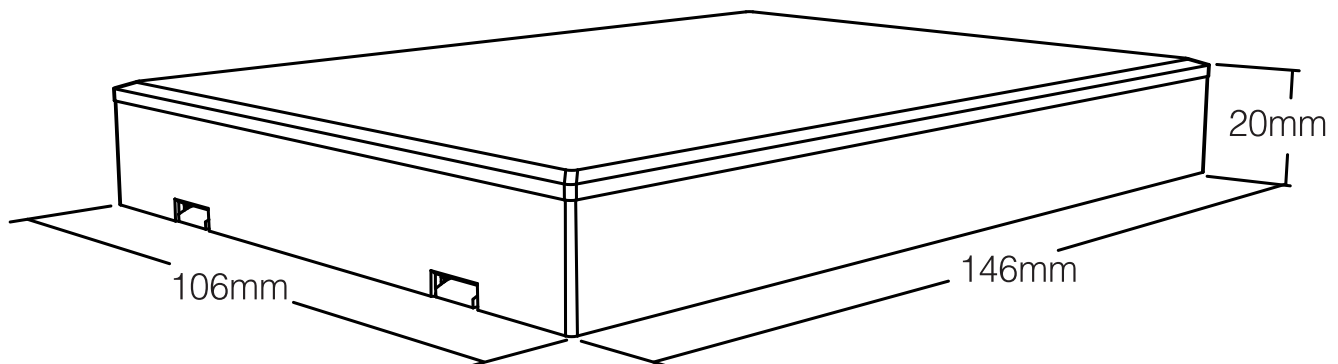
Transmitting Power: 6dBm

Control Distance: 30m

Standby Power: 30uA

Size: 106*146*20mm

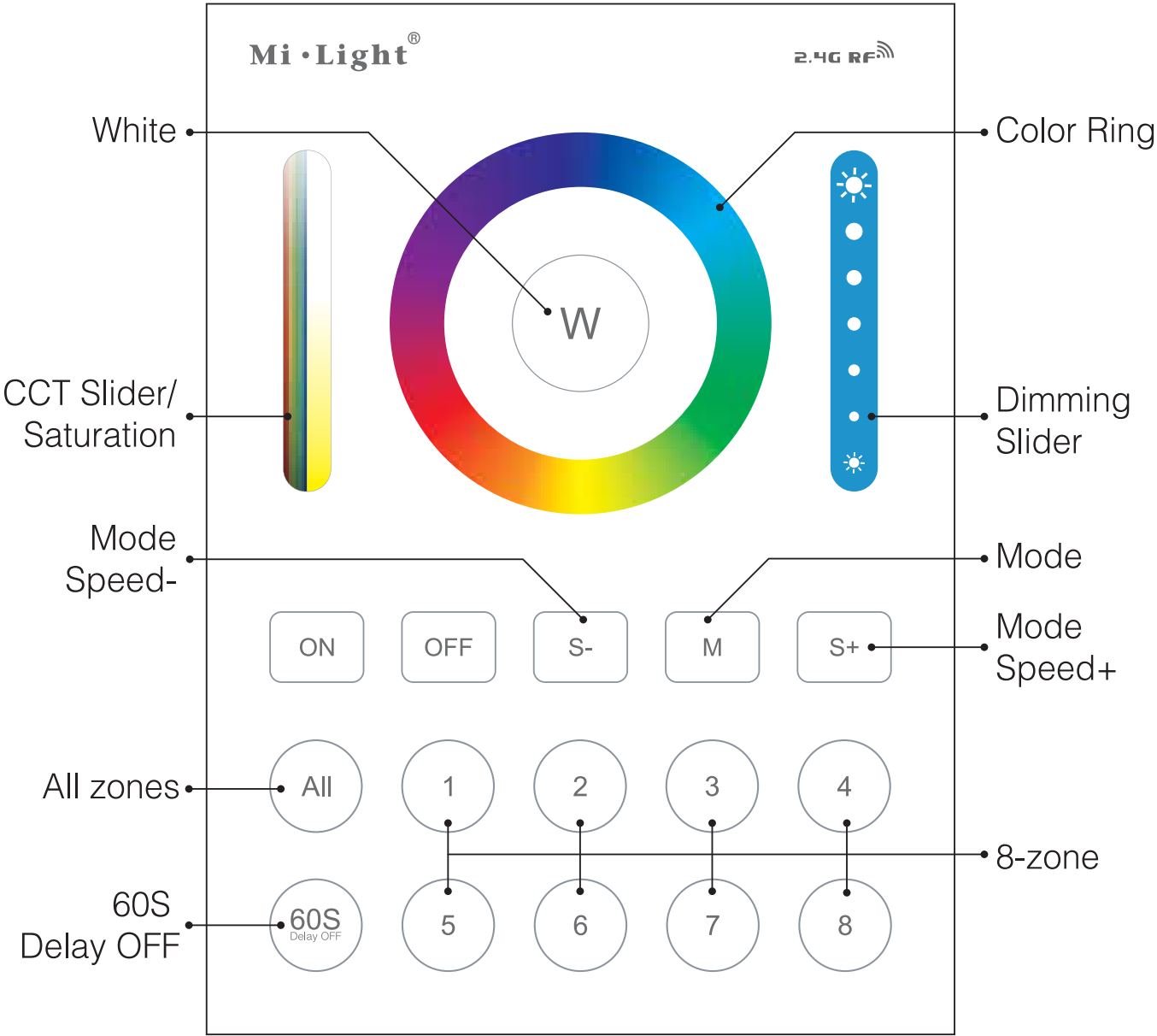
Panel Remote Controller Name	Compatible Remote Model	Compatible Products
8-Zone Smart Panel Remote Controller	FUT089	RGB+CCT series LED Bulb series LED Floodlight series 5 in 1 Smart LED Controller



Function of keys

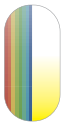
Remark:

When touching the button, LED indicating lamp will flash once with different sound(Touch slider with no sound).





Touch the color ring to change colors.



Under white light mode, adjust color temperature;
Under color light mode, change color saturation.



Slide the brightness slider to adjust the brightness.



Press the button to get white light.



Turn on the linked lights. Long press “ON” button for 10 seconds to set up the button sound.



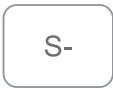
Turn off the linked lights. Long press “OFF” button for 10 seconds to close the button sound.



Press the button, to open the “60S delay ” Function, the indicating lamp will shine; Press again cancel the “60S delay” Function, the indicating lamp will be off.



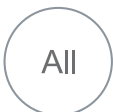
Dynamic mode switching button.



Lower the dynamic mode speed.



Accelerate the dynamic mode speed.



Press “ALL” button, to control all linked lights, and the indicating lamp shine meanwhile.

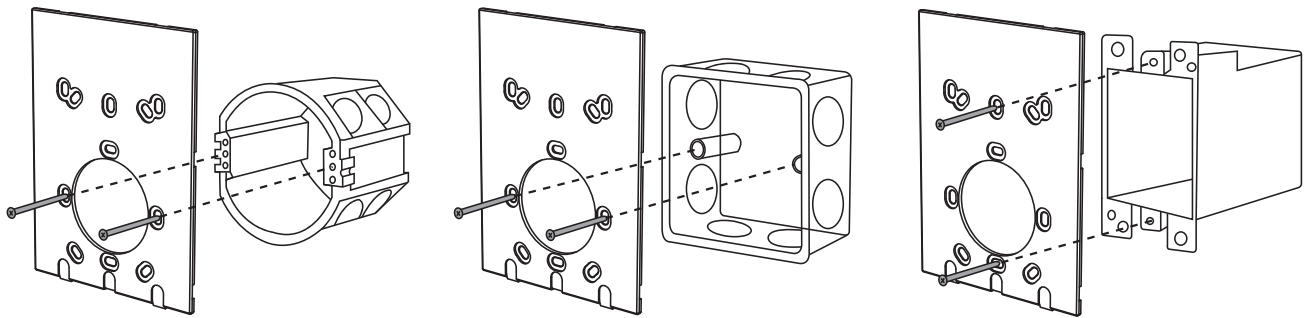


...



Press 1-8 zone, to control the corresponding zone linked lights, and indicating lamp will shine.

Installation/ Dismantlement



Input 1:
3V(2*AAA Battery)

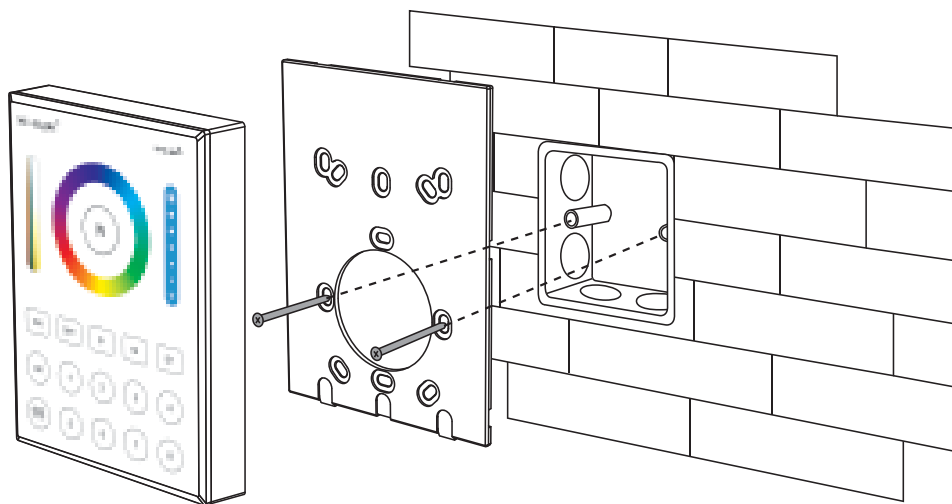
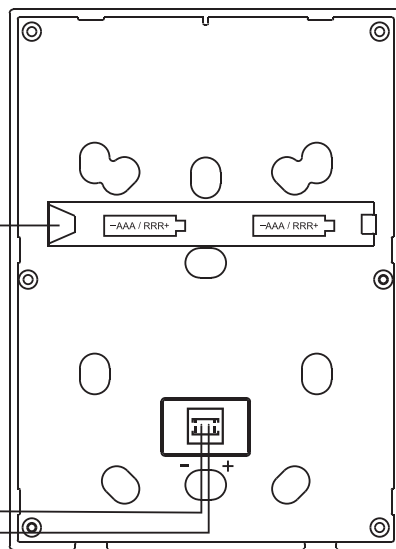
Input 2:

AC86~2658V

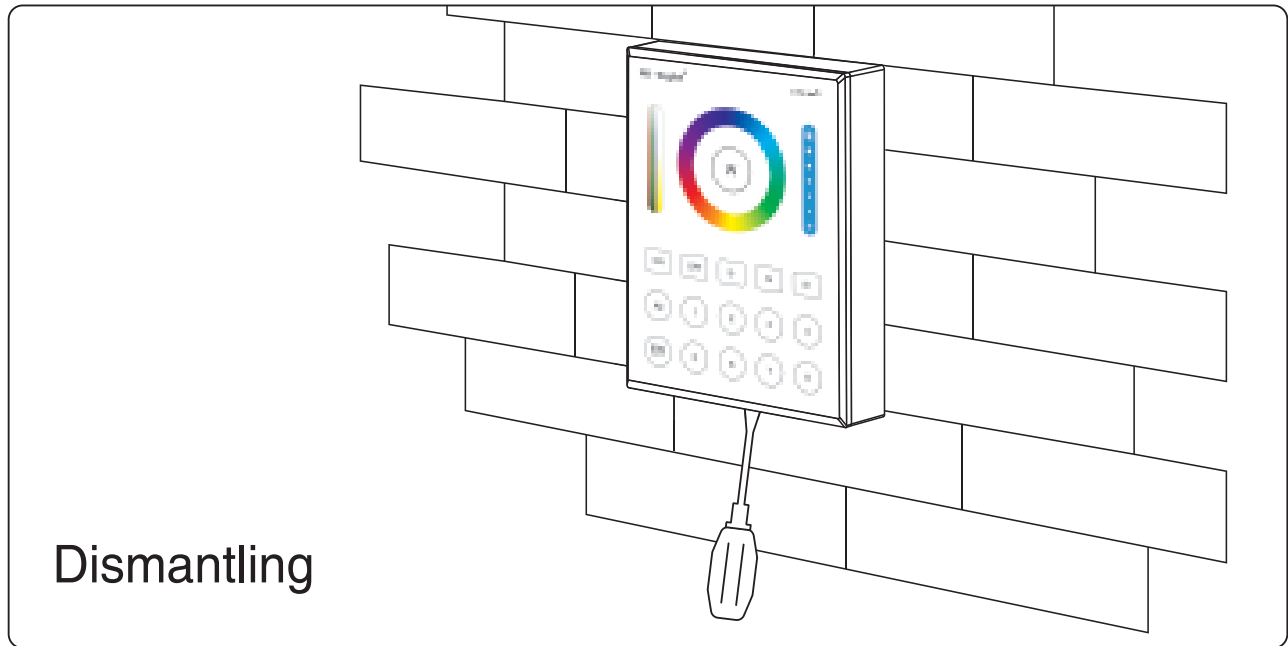
Power
Supply

DC 3.3V

Mi-Light specified power supply
need to be purchased separately.



Installation



Link/Unlink

Link: Click the zones ①...⑧ button you want to link, the corresponding indicating lamp will shine.

Turn off the power, then turn on again after 5 seconds, press “ ” 3 times within 3 seconds. The LED light blinks 3 times slowly when it is done.

Unlink: Click the zones ①...⑧ button you want to link, the corresponding indicating lamp will shine.

Turn off the power, then turn on again after 5 seconds, press “ ” 5 times within 3 seconds. The LED light blinks 10 times swiftly when it is done.

Attention

1. Please check the cable, and make the circuit is correct before power on.
2. When installation, pls handle with care to avoid the broken of the glass panel.



Made in China