

User Guide

Wall Mounted Touch Panel 4 Zone DMX512 Master & RF 2.4G Remote

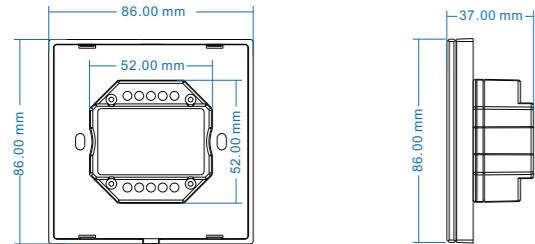
Summary

- Touch panel 4 zone DMX512 master, can also be used as 4 zone RF remote.
- Single color, dual color and RGB/RGBW light type available.
- DMX signal output, comply to standard DMX512 protocol, compatible with DMX decoder from any supplier.
- High sensitive & high stable glass touch panel, fast & precise control.
- Smooth dimming and switch without any flickering.
- Smooth and accurate color adjustment by touching the color wheel / slide.
- For RGB/RGBW light, built in 10 mode, include jump or gradual change style, adjustable speed.
- Adopt 2.4GHz wireless technology, remote distance up to 30m.
- When used as DMX512 master, can accept up to 10 remote control.
- When used as RF remote, can remote control multiple receiver.

Technical parameter

Model	Input voltage	Output signal	Light type	Size(mm)
T11-1	85-265VAC	DMX512 + RF2.4G	Single color	86x86x37
T12-1	85-265VAC	DMX512 + RF2.4G	Dual color	86x86x37
T13	85-265VAC	DMX512 + RF2.4G	RGB/RGBW	86x86x37
T14	85-265VAC	DMX512 + RF2.4G	RGB/RGBW	86x86x37

Dimension



Key function

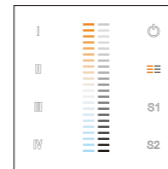
• Single color panel



T11-1

- ⏻ : Turn on/off all zone light.
- ⏻ ||| ||| ||| ⏻ : Short press select and turn on zone light, long press 2s turn off zone light. Continuous short press multiple zone key, can synchronous select multiple zone. then touch brightness slide to change current zone brightness.
- S1 S2 S3 : Short press run the scene, long press 2s save. 4 zone run or save synchronously.

• Dual color panel



T12-1

- ⏻ : Turn on/off all zone light.
- ⏻ ||| ||| ||| ⏻ : Short press select and turn on zone light, long press 2s turn off zone light. Continuous short press multiple zone key, can synchronous select multiple zone. then touch color/brightness slide to change current zone color temperature or brightness.
- ⇄ : Switch between color temperature slide or brightness slide.
- S1 S2 : Short press run the scene, long press 2s save. 4 zone run or save synchronously.

• RGB/RGBW panel



T13



T14

- ⏻ : Turn on/off all zone light.
- ⏻ ||| ||| ||| ⏻ : Short press select and turn on zone light, long press 2s turn off zone light. Continuous short press multiple zone key, can synchronous select multiple zone.
- ⏻ > : Short press run next mode, long press 2s run mode-cycle.
- 🎛️ : Static color, adjust bright, short press 10 levels, long press 1-5s continuous 256 levels adjustment. Dynamic mode, adjust speed, short press 10 levels, long press 2s the default speed.
- R G B : Short press get red, green or blue color directly. long press 1-5s continuous 256 levels adjust R/G/B brightness.
- W : Short press turn on/off W channel. long press 1-5s continuous 256 levels adjust W channel brightness.

RGB change mode list

No.	Name	No.	Name
1	RGB jump	6	RGB fade in and out
2	RGB smooth	7	Red fade in and out
3	6 color jump	8	Green fade in and out
4	6 color smooth	9	Blue fade in and out
5	Yellow cyan purple smooth	10	White fade in and out

Match guide

Panel controller match RF remote (Optional)

1. Match: Turn on light, turn off, immediately press on/off key for 5s, within 5s, press zone key of the RF remote.
2. Delete: Turn on light, turn off, immediately press on/off key for 10s, delete all matched RF remote.

Panel remote match receiver

Match with controller(with match key)

1. Match: Short press match key, within 5s, press zone key of the panel remote.
2. Delete: Long press match key for 5s, delete all matched remote.

Match with controller(without match key), dimming driver or smart lamp

1. Match: Switch off the power, then switch on power again, short press zone key 3 times on the panel remote quickly within 5s after power on, the link is done once the light blinks 3 times.
2. Delete: Switch off the power, then switch on power again, short press zone key 5 times on the panel remote quickly within 5s after power on, the unlink is done once the light blinks 5 times.

DMX channel address assignment

Single color panel

Each zone one channel:
zone 1 is channel 1, zone 2 is channel 2, zone 3 is channel 3, zone 4 is channel 4.

Dual color panel

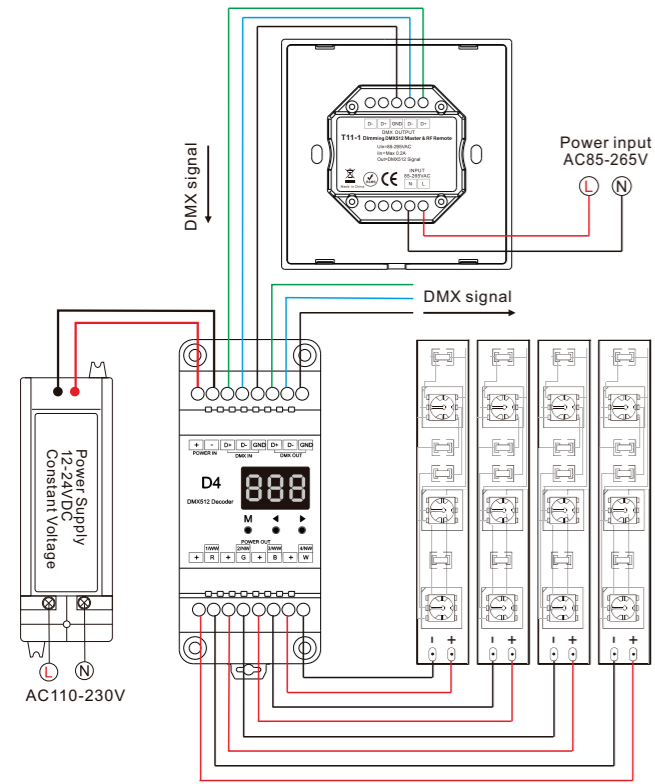
Each zone two channel:
zone 1 is channel 1 ~ 2,
zone 2 is channel 3 ~ 4,
zone 3 is channel 5 ~ 6,
zone 4 is channel 7 ~ 8,
channels 1,3,5,7 is WW, channels 2,4,6,8 is CW.

RGB/RGBW panel

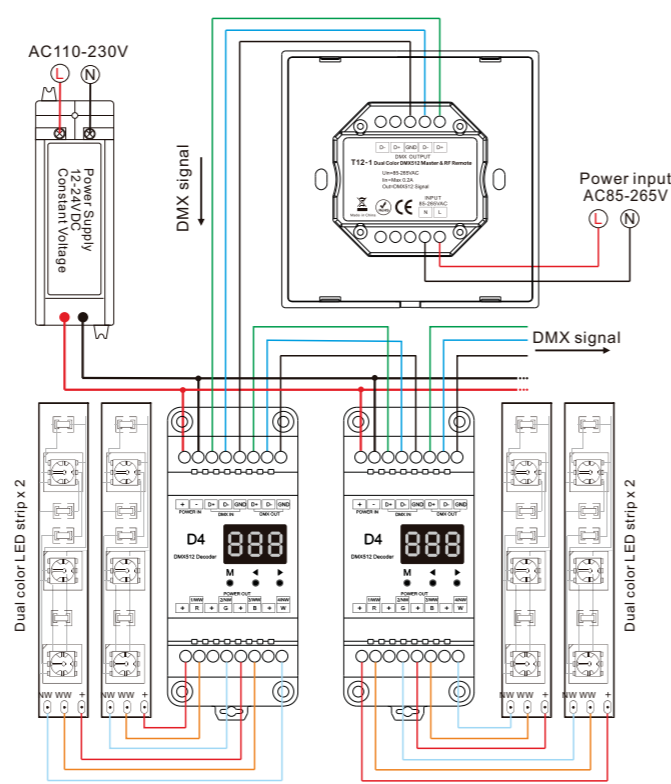
Each zone 4 channel:
zone 1 is channel 1 ~ 4,
zone 2 is channel 5 ~ 8,
zone 3 is channel 9 ~ 12,
zone 4 is channel 13 ~ 16,
channels 1,5,9,13 is R, channels 2,6,10,14 is G, channels 3,7,11,15 is B, channels 4,8,12,16 is W.

Wiring diagram

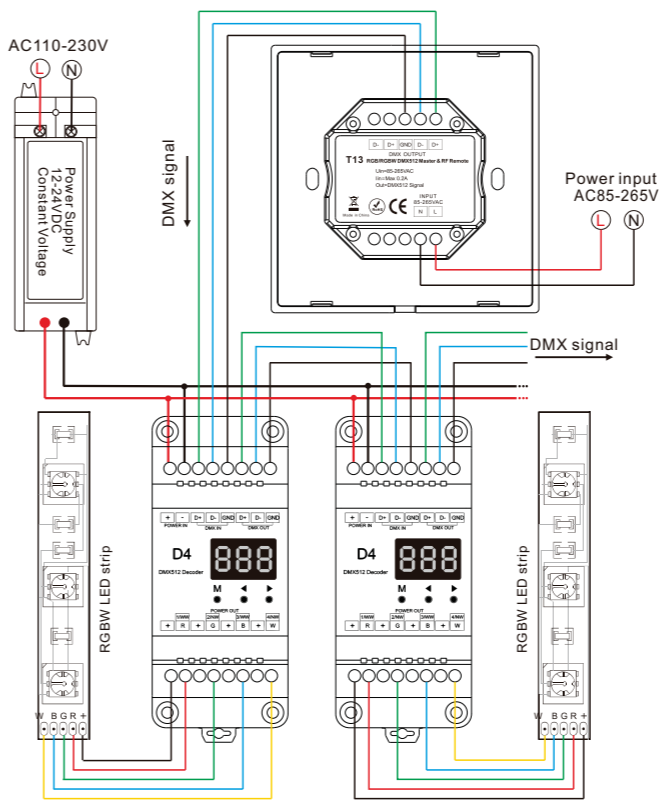
• T11-1



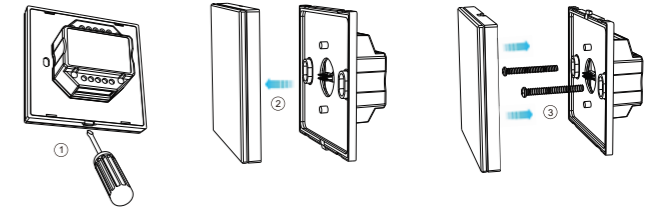
• T12-1



• T13 / T14



Installation diagram



Malfunctions analysis & troubleshooting

Malfunctions	Causes	Troubleshooting
No light	1. No power. 2. Wrong connection or insecure.	1. Check the power. 2. Check the connection.
Wrong color	1. DMX decoder first address error. 2. Wrong connection of R/G/B/W wires.	1. Check the DMX first address. 2. Reconnect R/G/B/W wires.
No response from the remote	1. The battery has no power. 2. Beyond controllable distance. 3. The controller did not match the remote.	1. Replace battery. 2. Reduce remote distance. 3. Re-match the remote.

Safety information

1. The product shall be installed and serviced by a qualified person.
2. The product is non-waterproof. Please avoid the sun and rain.
3. Good heat dissipation will prolong the working life of the controller, Please ensure good ventilation.
4. Please check if the output voltage of any power supplies used comply with the working voltage of the product.
5. Ensure all wire connections and polarities are correct and secure before applying power to avoid any damages to the LED lights.
6. If a fault occurs please return the product to your supplier. Do not attempt to fix this product by yourself.