

Product Specifications

(DIM/ CCT/ RGB/ RGBW/ RGB+CCT)

Model No.:

LD1051492 – DIM / LD1051493 – CCT / LD1051494 – RGB / LD1051495 – RGBW / LD1051496 – RGB+CCT

Product name: RF Ultrathin Mini LED Controller

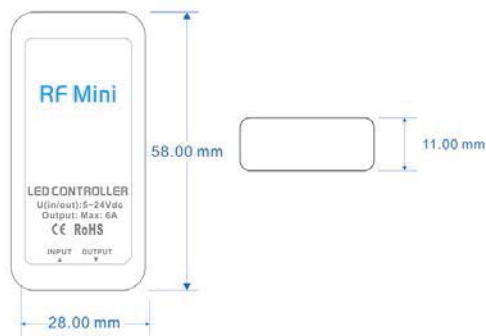


1.Product Description:

RF Ultrathin Mini led controller has 5 types, which form a series. The products of this series can be used to control five types of light bars: Dimmer, color temperature, RGB, RGBW, RGB+CCT. It can realize fade, jump, fade in and fade out, flash, blasting flash etc. dynamic lighting effects according to customers' actual needs. And a variety of static colors can be chosen from. The main features of the controller are:

1. Compact body and convenient wiring;
2. Simple and clear operation,
3. Compatible with full touch remote, one touch to change color and modes;
4. Diversified dynamic mode;
5. Soft dimming effect.

2. Technical Parameters:

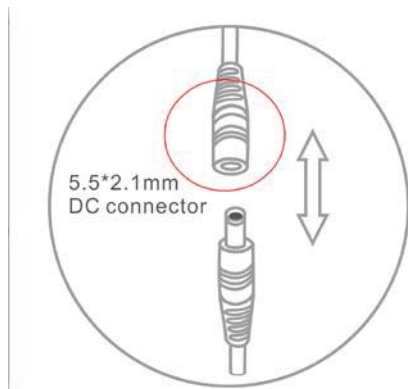


- Product name: RF Ultrathin Mini led controller
- Model No. : RF-D1~D5
- Working temperature : -20-60 °C
- Input voltage : DC5~24V
- Connection mode : Common anode
- controller size : L55.7×W16.6×H10.7mm
- Net weight : 50g
- Gross weight : 55g
- Static power consumption : <0.5W
- Output current : <2A/CH max:6A
- Output power: Max: 5V:<30W,12V:<72W, 24V:<144W

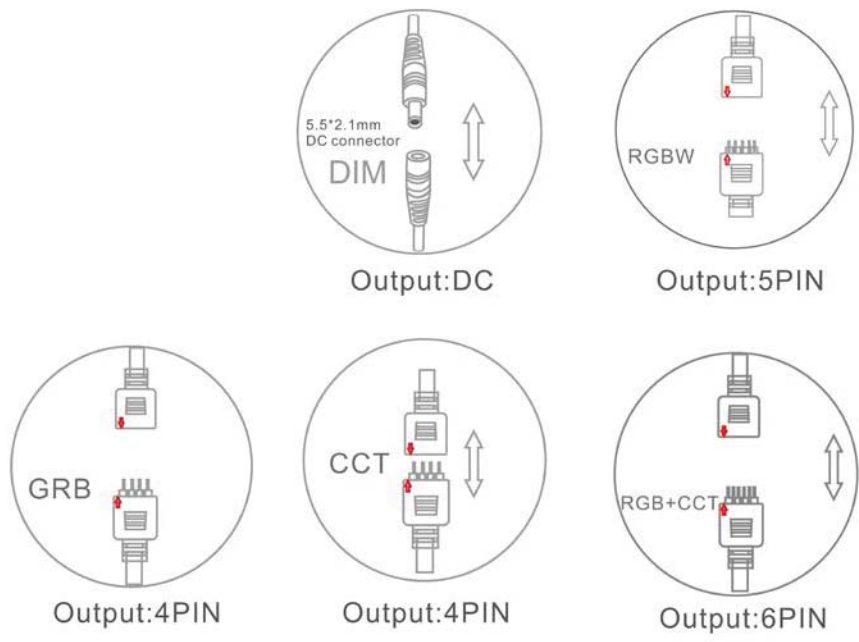
3. Connection description:



(1) **Power input interface:** adopt 5.5*2.1mm DC female connector (use thick pure copper wires, can full load 6A, the regular dc connector can only load 3A)



(2) **Output interface:** Adopt DC male/ 4pin /5pin/ 6pin female led connector



DIM: DC male connector

CCT: 4pin female connector

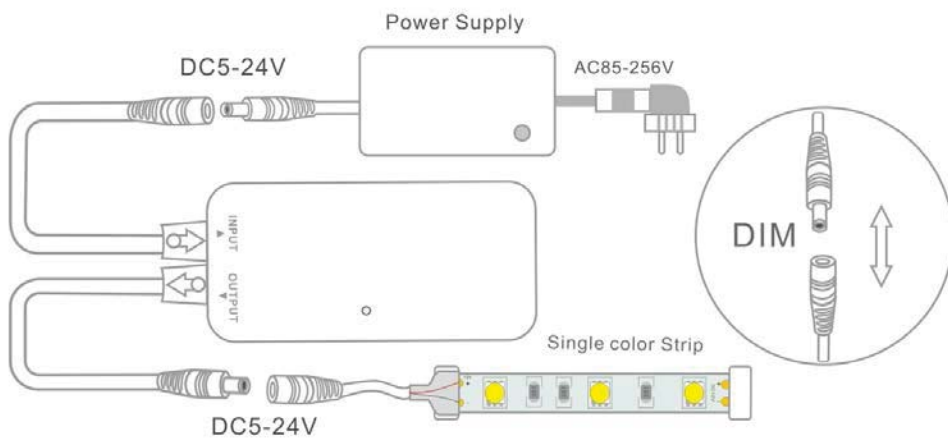
RGB: 4pin female connecto

RGBW : 5pin female connector

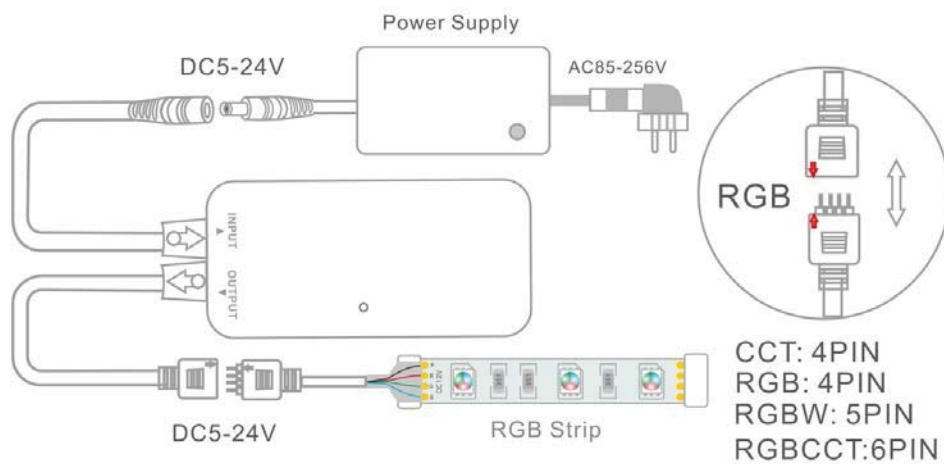
RGB+CCT : 6pin female connector

4. Connection description :

(1) Dimmer



(2) CCT/RGB/RGBW/RGB+CCT

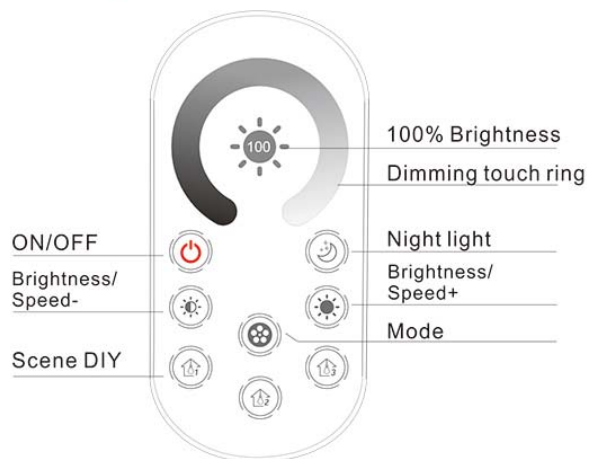


Note: Please according to the actual controller's wire sequence to corresponding led lights, just make sure the arrows of controller and light are inserted accordingly.

5. Remote function and mode list:

(1) DIM

(1) Dimming

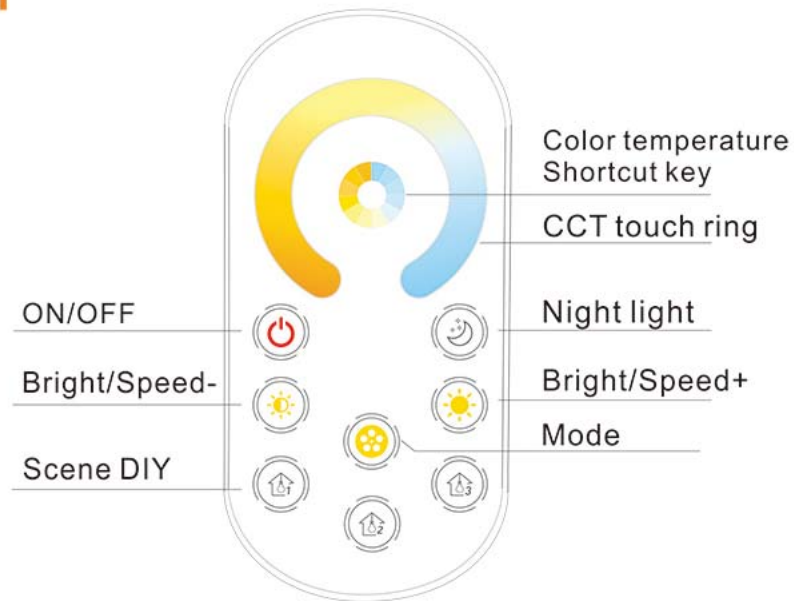


1. 🌙 Night light (4 kinds of brightness:1%,2%, 3%, 4%)
2. 🏠 Scene DIY 1, 2, 3:
First, choose the color or mode what you want to save, then long press one of the Scene DIY 1/2/3 to save the colors or modes.
(Can open the scene when remote is in shut-down state)
3. 🔄 Dynamic mode list (4):

Mode1	Mode2	Mode3	Mode 4
Fade	Jump	Flash	Loop

(2) CCT

(2) CCT



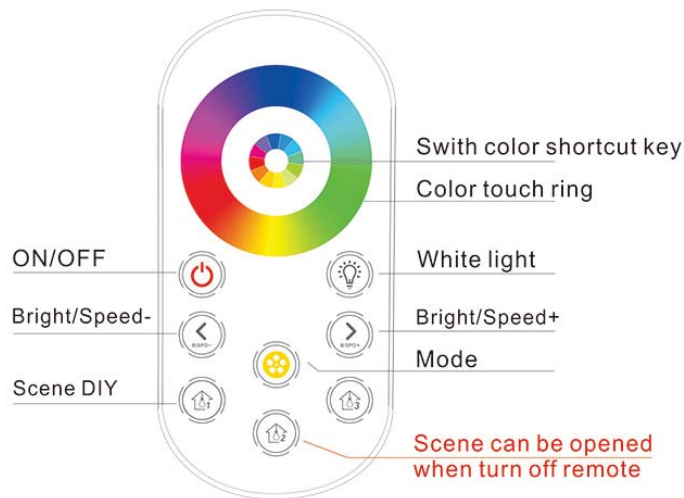
1. Color temperature shortcut key modes (7) : 2700K,3000K,3500K,4000K,5000K,6000K,6500K
2. Night light (2700K,3200K,6000K,6500K can be switched, brightness: 1%)
3. Scene DIY1/2/3: (Long press to save scene)
4. Dynamic mode list (10) :

No.	Dynamic modes
1	Warm white fade
2	Neutral white fade
3	Cool white fade
4	Warm white Jump
5	Neutral white Jump
6	Cool white Jump
7	Warm white + neutral white alternating fade
8	Warm white+ neutral white+ cool white three color alternating fade
9	Warm white+ neutral white+ cool white three color alternating jump

10	All modes loop
----	----------------

(3) RGB

RGB



(3) RGB remote function:

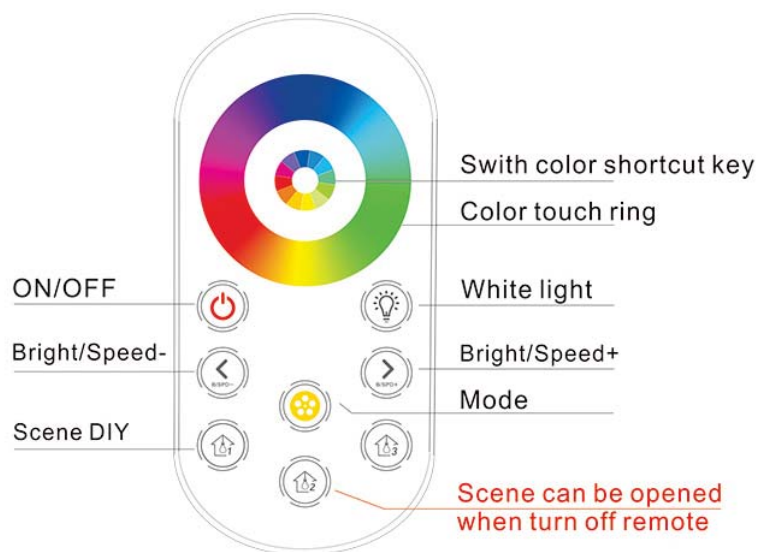
1. Switch color shortcut key (9) : Red, Green, Blue, Yellow, Purple, Cyan, Light green, Purplish red, Light blue.
2. White light (4 kinds lights can be switched)
3. Scene DIY1/2/3: (Choose color or mode, then long press to save scene)
4. Dynamic mode list (27):

No.	Mode	No.	Mode	No.	Mode
1	Red fade	11	White flash	21	Green fade+jump
2	Green fade	12	3 colors jump	22	Blue fade + jump
3	Blue fade	13	3 colors fade	23	Yellow fade +jump
4	Yellow fade	14	7 colors jump	24	Purple fade+jump
5	Purple fade	15	7 colors fade	25	Cyan fade + jump

6	Cyan fade	16	Full colors fade	26	White fade +jump
7	White fade	17	3 colors flash	27	All modes loop
8	Red flash	18	7 colors flash		
9	Green flash	19	7 colors flash + blasting flash		
10	Blue flash	20	Red fade+jump		

(4) RGBW

RGBW



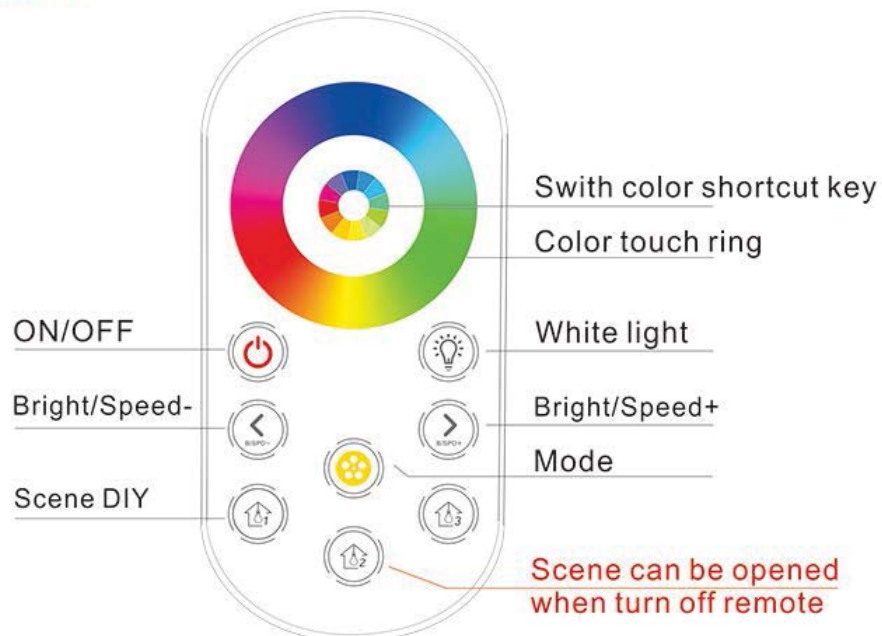
(4) RGBW remote function:

1. 🌈 Switch color shortcut (12) : Red, Green, Blue, Yellow, Purple, Cyan, W+red, W+ green, W+blue, W+yellow, W+purple, W+cyan (W--Pure white).
2. 💡 White light --4 lights can be switched: --White(1CH) --- White (Rgb mixed)--Light purple--Light blue.
3. 🏠 Scene DIY1/2/3 : (Long press to save scene)
4. ⚡ Dynamic mode list (30):

No.	Mode	No.	Mode	No.	Mode
1	Red fade	11	White flash	21	Green fade+jump
2	Green fade	12	3 colors jump	22	Blue fade + jump
3	Blue fade	13	3 colors fade	23	Yellow fade +jump
4	Yellow fade	14	7 colors jump	24	Purple fade+jump
5	Purple fade	15	7 colors fade	25	Cyan fade + jump
6	Cyan fade	16	Full colors fade	26	White fade +jump
7	White fade	17	3 colors flash	27	White fade (1ch)
8	Red flash	18	7 colors flash	28	White Jump (1ch)
9	Green flash	19	7 colors flash + blasting flash	29	White fade+ Jump (1ch)
10	Blue flash	20	Red fade+jump	30	All modes loop

(5) RGB+CCT

RGB+CCT



White light: 2700k,3000k,3500k,4000k,5000k,6000k,6500k.

Static colors (19) :

No.	Static Mode	No.	Static Mode	No.	Static Mode
1	Red	8	Warm white+red	15	Cool white+green
2	Green	9	Warm white+green	16	Cool white+blue
3	Blue	10	Warm white+blue	17	Cool white+yellow
4	Yellow	11	Warm white+yellow	18	Cool white+purple
5	Purple	12	Warm white+purple	19	Cool white+cyan
6	Cyan	13	Warm white+cyan		
7	White	14	Cool white+red		

Dynamic mode list (33):

No.	Dynamic Mode	No.	Dynamic Mode	No.	Dynamic Mode
1	Red fade	12	3 colors jump	23	Yellow fade +jump
2	Green fade	13	3 colors fade	24	Purple fade+jump
3	Blue fade	14	7 colors jump	25	Cyan fade + jump
4	Yellow fade	15	7 colors fade	26	White fade +jump
5	Purple fade	16	Full colors fade	27	Warm white fade
6	Cyan fade	17	3 colors flash	28	Natural white fade
7	White fade	18	7 colors flash	29	Cool white fade
8	Red flash	19	7 colors flash + blasting flash	30	Warm white jump
9	Green flash	20	Red fade+jump	31	Cool white jump
10	Blue flash	21	Green fade+jump	32	Warm white+Cool white jump
11	White flash	22	Blue fade + jump	33	All modes loop

Note: Can not adjust the speed of mode named “7 colors flash + blasting flash” in RGB, RGBW and RGB+CCT mode sheets.

6.Attention:

1.How to save Scene ?

First, choose the color or modes, then long press the Scene DIY 1/2/3 button, the light flashes means scene save successfully. (Can open the scene when the remote is in shut-down state.

2.Controller's input voltage is DC5~24V, never connect to others or AC220V, Pls do not overload, the total max output current is 6A;

3. Before using the infrared remote, the insulating film should removed.

4. Please don't reverse the power input connection of both cathode and anode, please switch on again only when it is in right connection and no short circuit.

5. Please power off the device if you don't use it for a quit long time, don't place in high dust, high temperature environment.

7.Applicable site :

TV table, counter, night table, bathroom etc

