

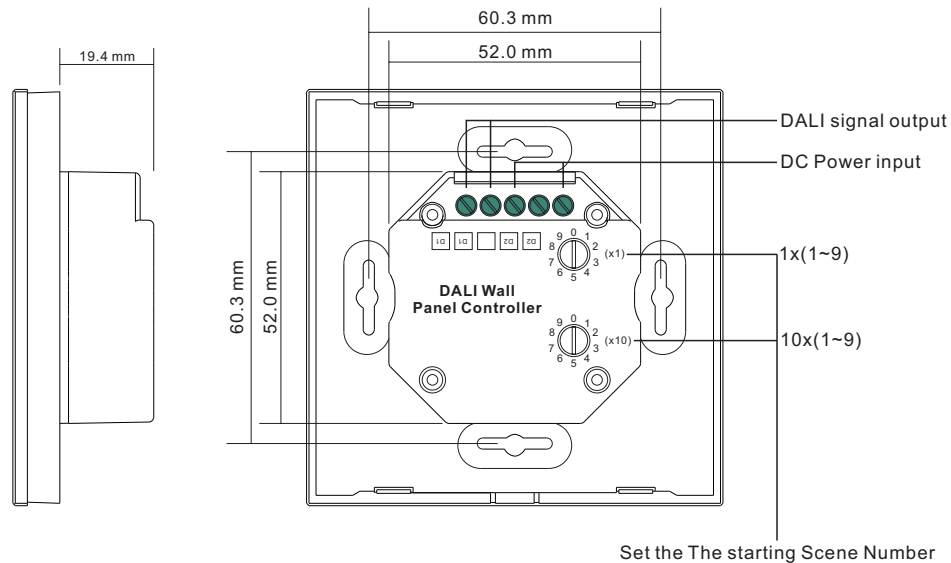
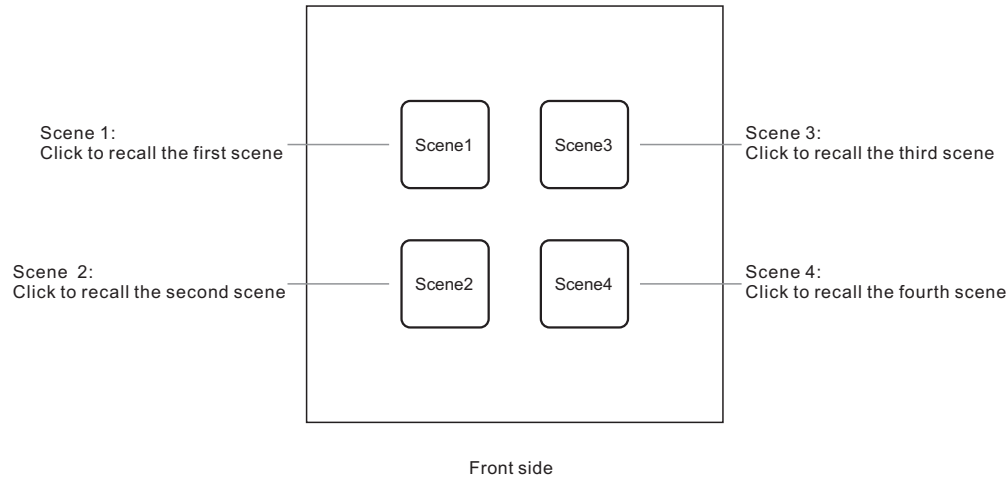
Wall-mounted DALI dimmer

09.240TS.04326



Important: Read All Instructions Prior to Installation

Function introduction



Product Data

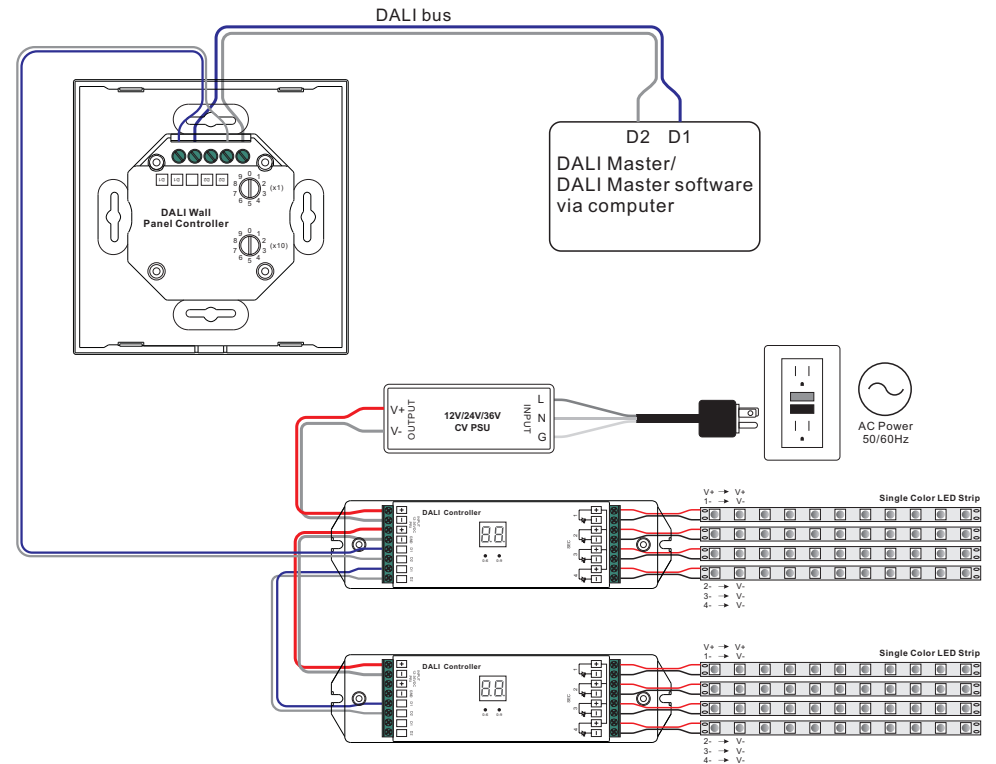
Output Signal	DALI signal
Power Supply	Provided by DALI bus
Power consumption	4 mA
Operating temperature	0-40°C
Relative humidity	8% to 80%
Dimensions	86x86x29.1mm

- Touch sensitive
- Glass interface(white & black)
- Comply to DALI standard protocol IEC 62386-102,IEC 62386-207 and in compliance with DALI products from other international incorporation.
- With bus detective function, one channel DALI bus can install multiple dimmer switches.
- Enable to select 4 different scene addresses for controlling by encoding switch.
- Waterproof grade: IP20

Safety & Warnings

- DO NOT install with power applied to device.
- DO NOT expose the device to moisture.

Wiring diagram



Operation

Set starting scene number for DALI masters

1. Set the starting number "X" on the DALI controller (with 16 scenes)
2. **Scene 1** control X scene, **Scene 2** control X+1 scene,
Scene 3 control X+2 scene, **Scene 4** control X+3 scene

Installation

