

# Waterproof DALI dimmer

Model:SR-2302B(WP) Series



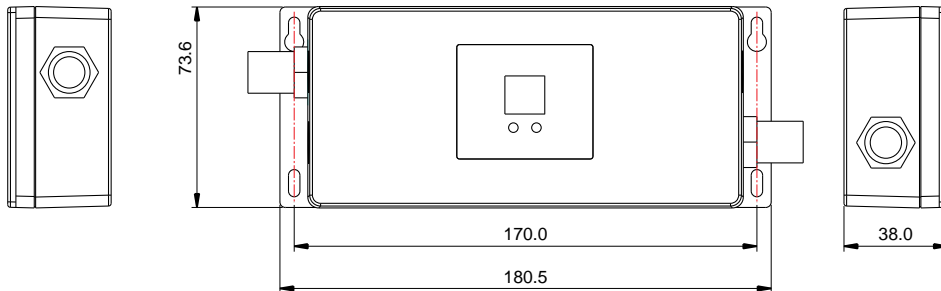
## Feature

- Match all DALI system in the market
- Manual /automatically DALI address setting
- DALI address digital indicate
- Four channels with same address
- Compatible with SR-2400TL,SR-2400TG,SR-2400TS,SR-2400LC,SR-2400GC,SR-2400SC and any good quality DALI Master
- IP66, Do Not touch with sharp stuff

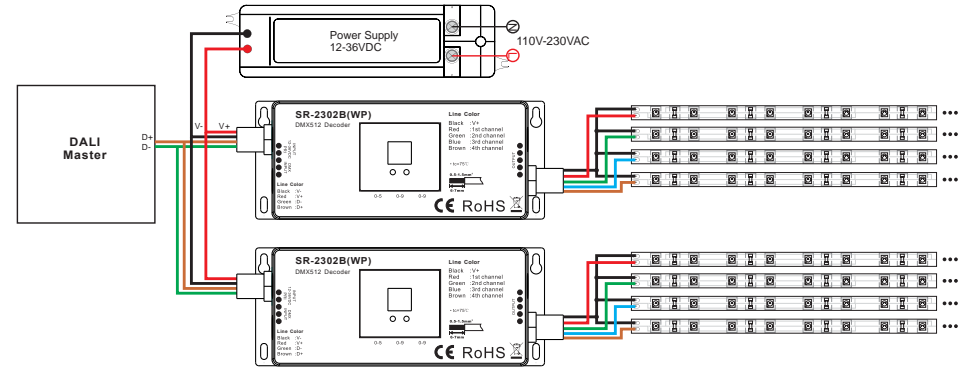
## Parameter

Part No.	Input Voltage	Current	Output	Remarks
SR-2302B(WP)	12-36VDC	4x5A	4x(60-180)W	Constant voltage
SR-2312B(WP)	12-36VDC	4x350mA	4x(4.2-12.6)W	Constant current
SR-2314B(WP)	12-36VDC	4x700mA	4x(8.4-25.2)W	Constant current

## Product Size



## Wiring diagram



## Operation

### Setting DALI address

- Manual: Long press any button---digital address will flicker---short press button to set address we want---long press any button to confirm.
- DALI master setting: SR-2302xx Series can also be setting address by all DALI master which possesses this function. The specific operation can refer to DALI master manual.
- Once an address is selected, all four channels address will be same. For example, if the decoder is addressed to 22 on the display then CH1 – 22, CH2 – 22, CH3 – 22, CH4 – 22.

## Warranty Agreement

- We provide lifelong technical assistance with this product:
  - 3-year warranty. We print date on every products, for example :1125 means year 2011, week 25. The warranty is for free repair or replacement and covers manufacturing faults only.
  - For faults beyond the 3-year warranty we reserve the right to charge for time and parts.
- Limited Warranty
  - Any defects caused by wrong operation.
  - Any damages caused by unauthorized removal, maintenance, modifying, incorrect connection and replacement of chips.
  - Any damages due to transportation, vibration etc. after purchase.
  - Any damages caused by earthquake, fire, lightning, pollution and abnormal voltage.
  - Any damages caused by negligence, inappropriate storing at high temperatures and humidity or near harmful chemicals.
  - Product has been updated
- Repair or replacement as provided under this warranty is the exclusive remedy to the customer.

## Safety & Warnings

- The product shall be installed and serviced by a qualified person.
- IP20. Please avoid the sun and rain. When installed outdoors, please ensure it is mounted in a water proof enclosure.
- Always be sure to mount this unit in an area with proper ventilation to avoid overheating.
- Please check if the output voltage of any LED power supplies used comply with the working voltage of the product.
- Never connect any cables while power is on and always assure correct connections to avoid short circuits before switching on.
- Please ensure that the cable is secured tightly in the connector
- For update information please consult your supplier.