

LD1130074 DALI Driver AC90-240V, 1A, 240W, Dimming

Product Specifications



Contents

1. Summarization.....	2
2. Technical parameters.....	2
3. External Dimension.....	2
4. Interface Specifications.....	3
5. Instruction.....	3
6. Typical Application.....	3

1. Summarization

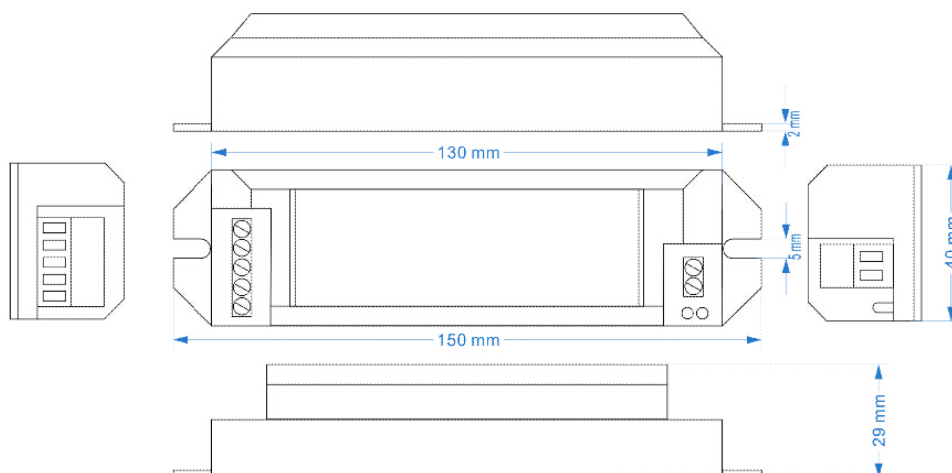
DALI (Digital Addressable Lighting Interface) is an international standard, popular lighting control protocol, with digital addressable dimming function. It's stable, easy to install, with various dimming modes and compatible with the agreement of almost every major manufactures.

This product adopt a standard DALI dimming signal to digital LED dimming. Compare with traditional dimming way, it is with a wider range of dimming, more dimming modes and it's preciser. You can check the current status of LED lights (such as the current brightness, power intensity, the minimum support brightness, address, etc.). Besides, it is digital control.

2. Technical parameters

- 2.1 Working temperature: -20~60°C
- 2.2 Supply voltage: AC90-240V(50Hz-60Hz)
- 2.3 Rated Current: 1A
- 2.4 Dimming signal: DALI
- 2.5 Current signal interface: <2mA
- 2.6 Dimming range: 0.1%-100%
- 2.7 Dimming ways: 1 channel trailing edge output
- 2.8 Connection mode: Large diameter screw type
- 2.9 External dimension: 150x40x29mm
- 2.10 Packing size: 157x50x57mm
- 2.11 Gross weight: 126g
- 2.12 Net weight: 91g

3. External Dimension



4. Interface Specifications

4.1 Power input and load interface:



4.2 DALI signal interface:



5. Instruction:

5.1 Power supply input: 90-240V AC, 50-60Hz, L is live wire, N is null wire, PE is blank.

5.2 Load output: rated current of output is 1A, it is AC output and polarity-free.

5.3 Signal: DALI signal input interface, both negative and positive.

5.4 Red signal indicator light: power supply indicator light, If it is long light, it shows the driver of dimmer is normal. If it is off, it shows the driver is off or there is something wrong with the dimmer.

5.5 Green signal indicator light: signal indicator light, long light shows that there is DALI signal, flash light shows that it is communicating. Off shows that there is no DALI signal.

6. Typical Application

