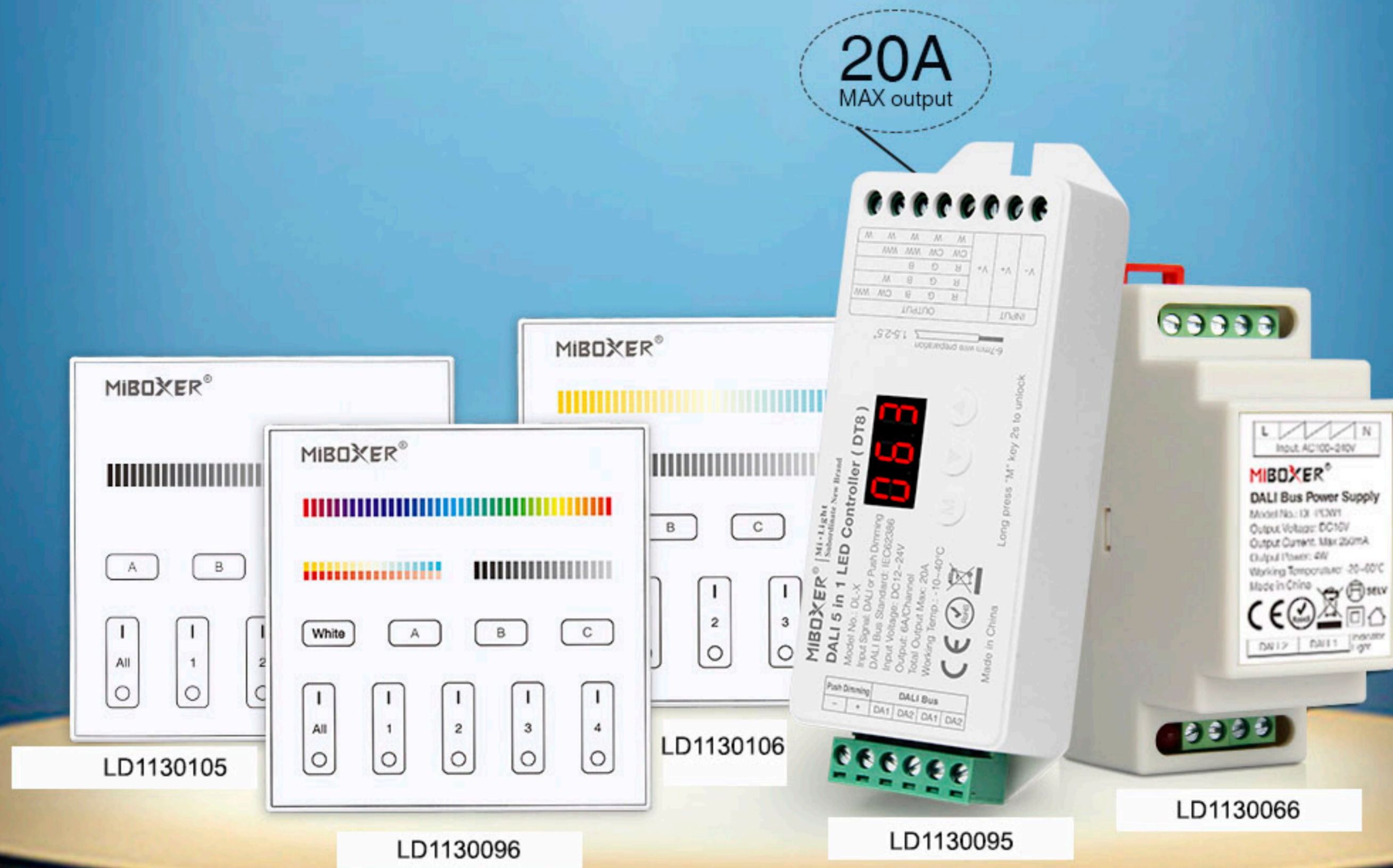


Newest arrival

DALI Dimming Control System(DT8)

Support DT8 type [Tc, xy coordinates, RGBWAF]

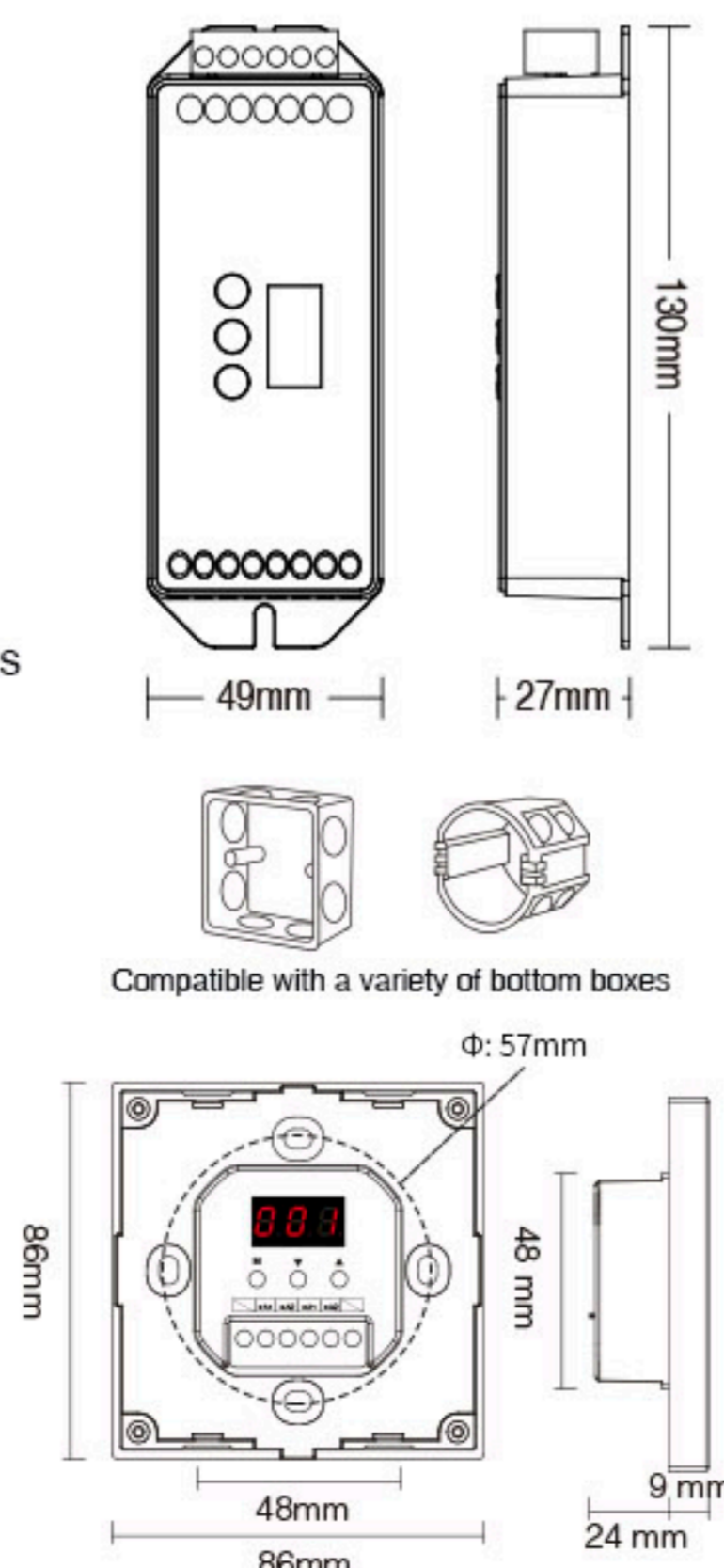


Controller Features

- ◆ Support DALI standard protocol IEC62386-102, 207, 209
- ◆ Support Monochrome, color temperature, RGB, RGBW, RGB+CCT 5 output modes
- ◆ 16 million colors adjustable, color temperature, brightness, saturation adjustable
- ◆ Support digital tube display function parameter information, And can be quickly set by pressing the button
- ◆ Can be dimmed by push
- ◆ Optional logarithmic or linear dimming
- ◆ With short circuit, over current protection and recovery functions

Features of dimming panel

- ◆ Support DALI standard protocol IEC62386-102, 207, 209
- ◆ Support four control modes: scene, multicast, unicast and broadcast
- ◆ Support switch, color, color temperature, saturation, brightness control
- ◆ Digital tube display, function setting is simple and quick
- ◆ DALI bus power supply
- ◆ Touch control, sensitive to touch



DALI system connection diagram

