
Product Specifications

NAME: DALI Group Dimming Module
MODEL: DALIMODULE-GC



Summarization

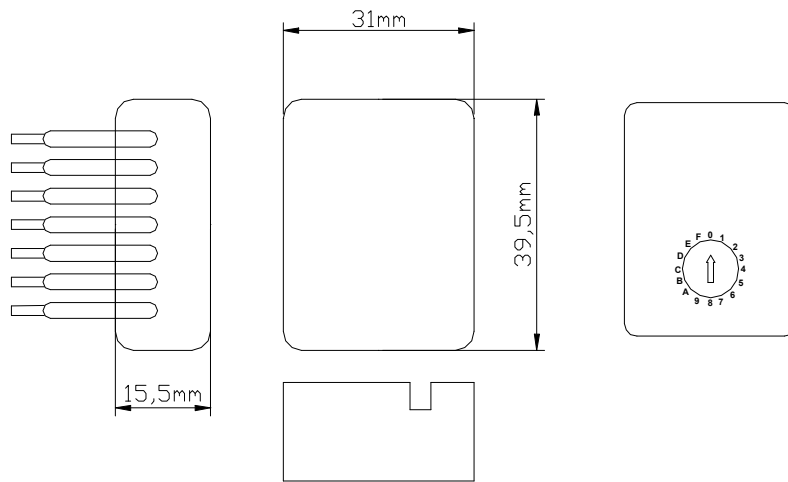
DALI (Digital Addressable Lighting Interface) is an international standard , popular lighting control protocol, with digital addressing dimming, stable, various dimming ways, easy to install, compatible with many big factories such characteristic.

DALI group dimming module adopt advanced computer control chip, can group switch, dimming and programme of dimmer on bus, also can use button without computer to operate, it is convenience for user.

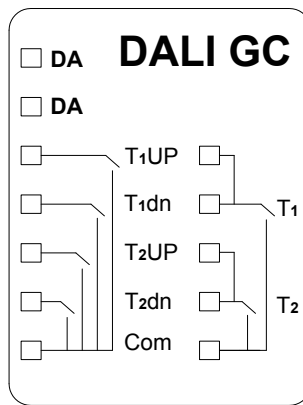
Technical parameters

- Supply voltage: DALI bus signal
- Working temperature: 0-50°C
- Storage temperature: -25-55°C
- Input signal: 4 channel physics switch signal
- Output signal: standard IEC60929 DALI signal
- Quiescent current: < 6mA
- Packing size: L105 * W65 * H42mm
- External dimension: L39 * W30 * H15mm
- Gross weight: 63.8g
- Net weight: 34.9g

External Dimension:



Interface Specifications:



"DA" connect yellow line is DALI port, "com" connect purple line is public ground wire, "T1up、T1dn、T2up、T2dn" connect gray line is button port.

Group dimming module function

DALI group dimming module can operate 1-2 group or equipments on broadcast bus, can control equipments on/off and brightness on bus, and the controller can control groups range is 16 groups.

Button duration			Function
single key	Up key longest time	DOWN key longest time	
10-500ms			ON at 100% or OFF
	10-500ms		ON at Max or OFF
		10-500ms	ON at Min or OFF
>500ms	>500ms	>500ms	ON (if required) and level adjust

Group programme operate instruction

Enter group programme mode

The module which enter the programme mode group, have 2 kinds of programme way, the selected DALI dimmer "add group" and "delete group".

Choose dimmer

To make the DALI dimmer module to join delete group, first need to make the DALI dimmer which wants to be programmed in the selected sate. Press the button less than 500ms, it will select the DALI dimmer one by one, each equipment will be selected alternate.

Selected DALI dimmer "add group"

After choose the equipment, press the button, it will hear 2 buzzer rang sound, and then release the button, it can make the selected DALI dimmer add to button represents group.

Selected DALI dimmer "delete group"

After choose the equipment, press the button, it will hear 3 buzzer rang sound, and then release the button, it can make the selected DALI dimmer remove to button represents group.

Order	System response
Long press one button for 10s	Buzzer rang one sound
Release one button for 1s	Buzzer rang one sound again
Press this button again for 1s	Buzzer rang two sound
After release button, hear a sound again	System finish distribute address, enter to group programme mode

Log out group programme mode

Under the programme mode, long press the button, after hear the fourth buzzer, then release, can hear continuous three sound, that prove the dimming module have quit the programme mode already.

Set button operate represents group value

DALI group dimming module can choose broadcast or 1-2 in 16 groups to operate, choose way as the list below:

Group Selector Position rotating switch	T1 input Group address	T2 input Group address
0	Broadcast	1
1	1	2
2	2	3
3...9	3...9	4...10
A...F	10...15	11...16

Typical Application

DALI group dimming module connect on DALI bus directly, module take power from bus directly (quiescent current 5-7MA).

