

User Manual

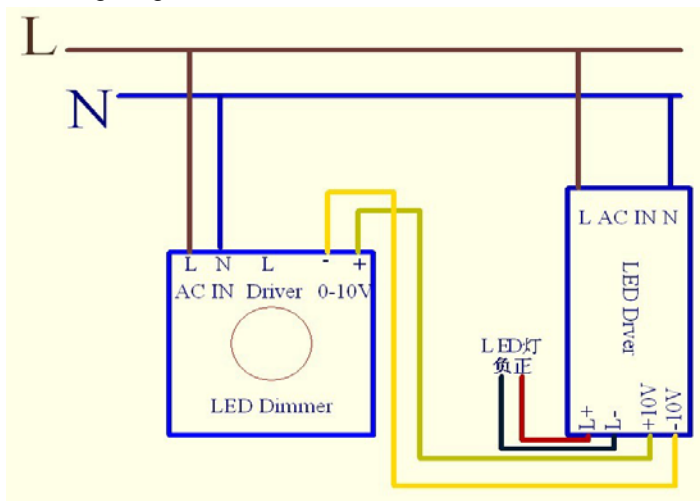
Functional Description

1. The input voltage is the full voltage (AC100V-240V).
2. The output voltage is adjustable DC voltage of 0-10V.
3. knob with a switch, the switch maximum current 1A.
4. Standard wiring port KF8500-5.
5. The panel size is 87 * 87 * 53, the base can be equipped with a conventional chassis.

Wiring Description

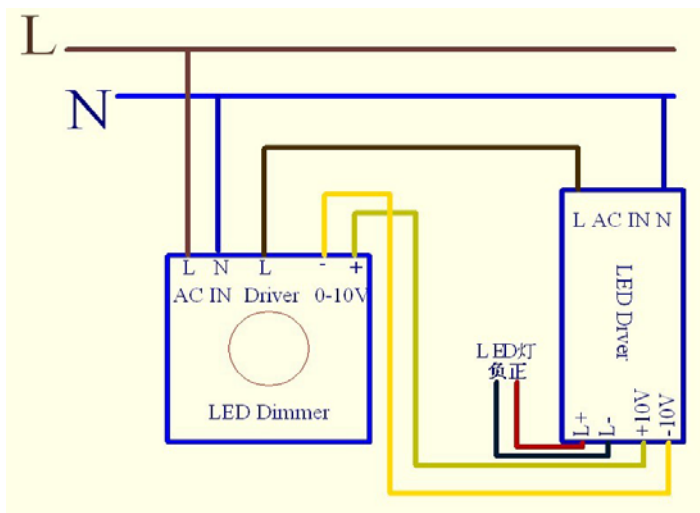
1. AC IN L, N respectively connected to the AC line of fire, the zero line.
2. 0-10V +, - respectively, then 0-10V positive and negative.
3. L Driver then L line LED power supply (this interface LED Power Switching Interface, when no power supply LED dimmer switches do not take this interface.)

Wiring diagram 1



This connection is directly connected to the LED power supply L, N, the dimmer LED does not turn off the AC power supply.

Wiring diagram 2



This connection diagram is controlled by dimmer LED AC off. Such connection dimmers can not take too much power, taking into account the maximum switching current situation.